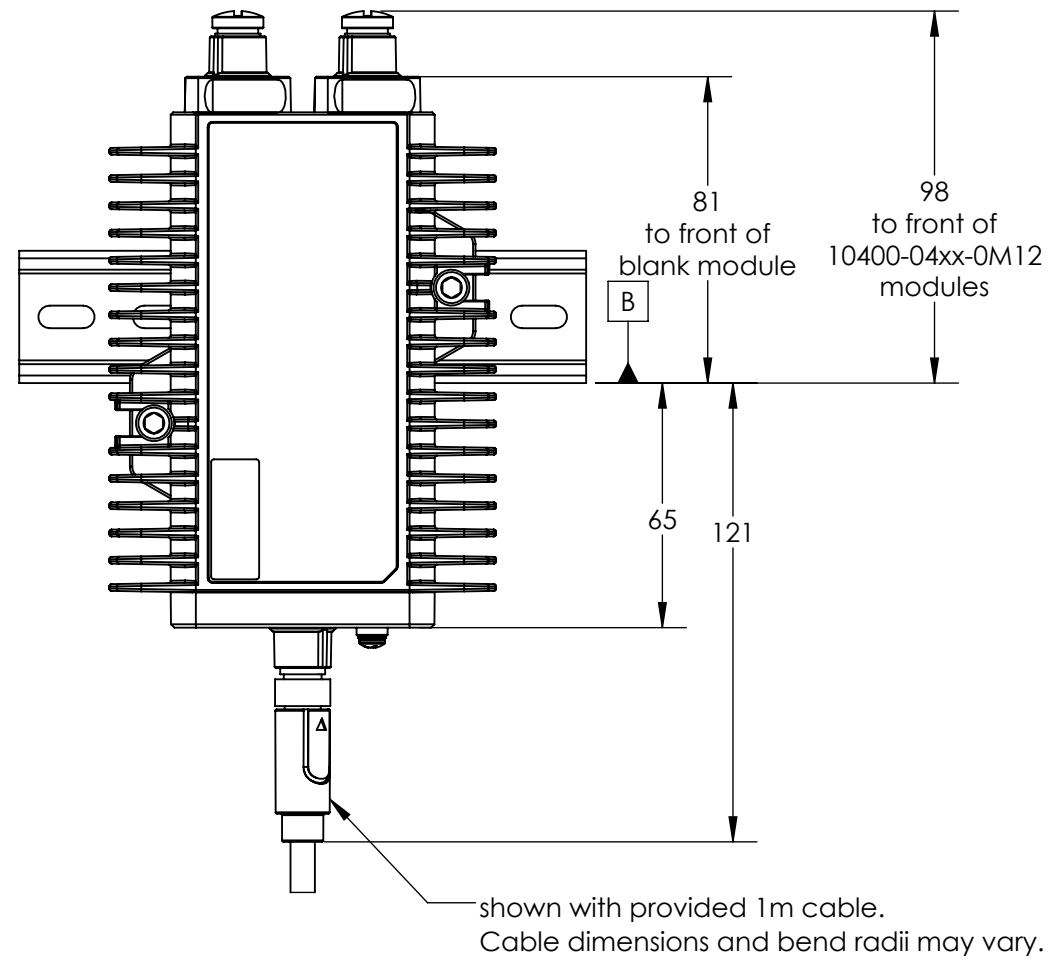
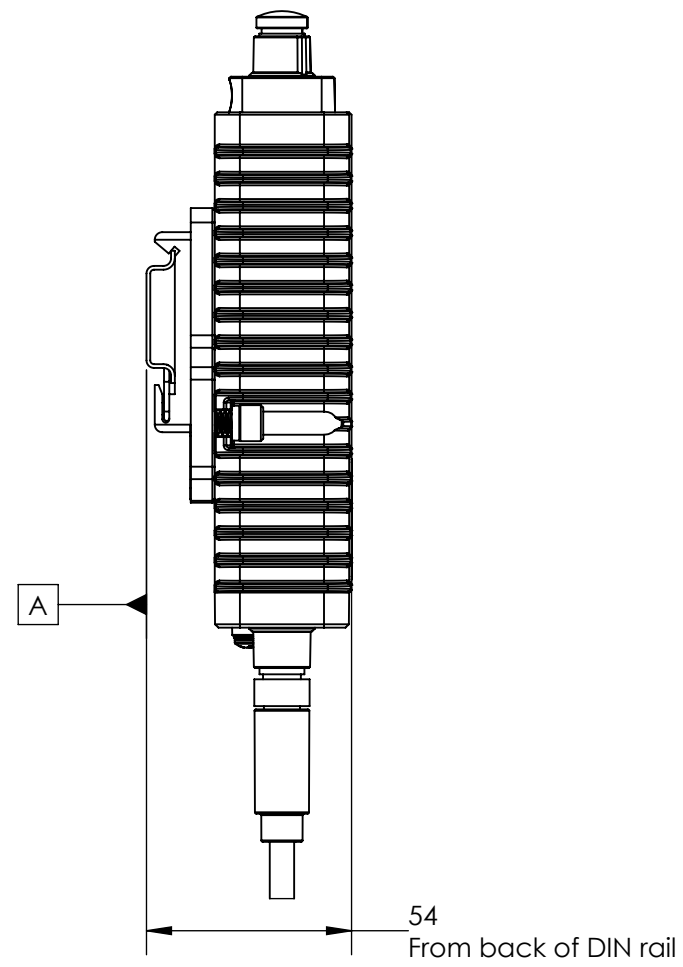


DIN MOUNT



| | | |
|---|--|----------------|
| THIRD ANGLE PROJECTION | | |
| | | |
| DIMENSIONS IN INCHES | | |
| INTERPRET DRAWING IN ACCORDANCE WITH ASME Y14.5M-1994 | | |
| UNSPECIFIED TOLERANCES: | | |
| FRACTIONS ±1/32 | DECIMALS 0.X ± 0.050 0.XX ± 0.010 0.XXX ± 0.005 | ANGLES ± 1° |
| ○ ITEM# | △ REVISION | ◇ FLAG NOTE |

| |
|------------------------------|
| PROJECT CODE: 400 |
| REF. MODEL: 10400-0412-0M12 |
| MODEL BY: efiennep, 3/8/2016 |
| DRAWN BY: -, 2019-08-02 |
| CHECKED BY: -, - |
| MATERIAL: NA |
| FINISH: NA |
| WEIGHT (lbs): 1.704 |

sciometric[®]

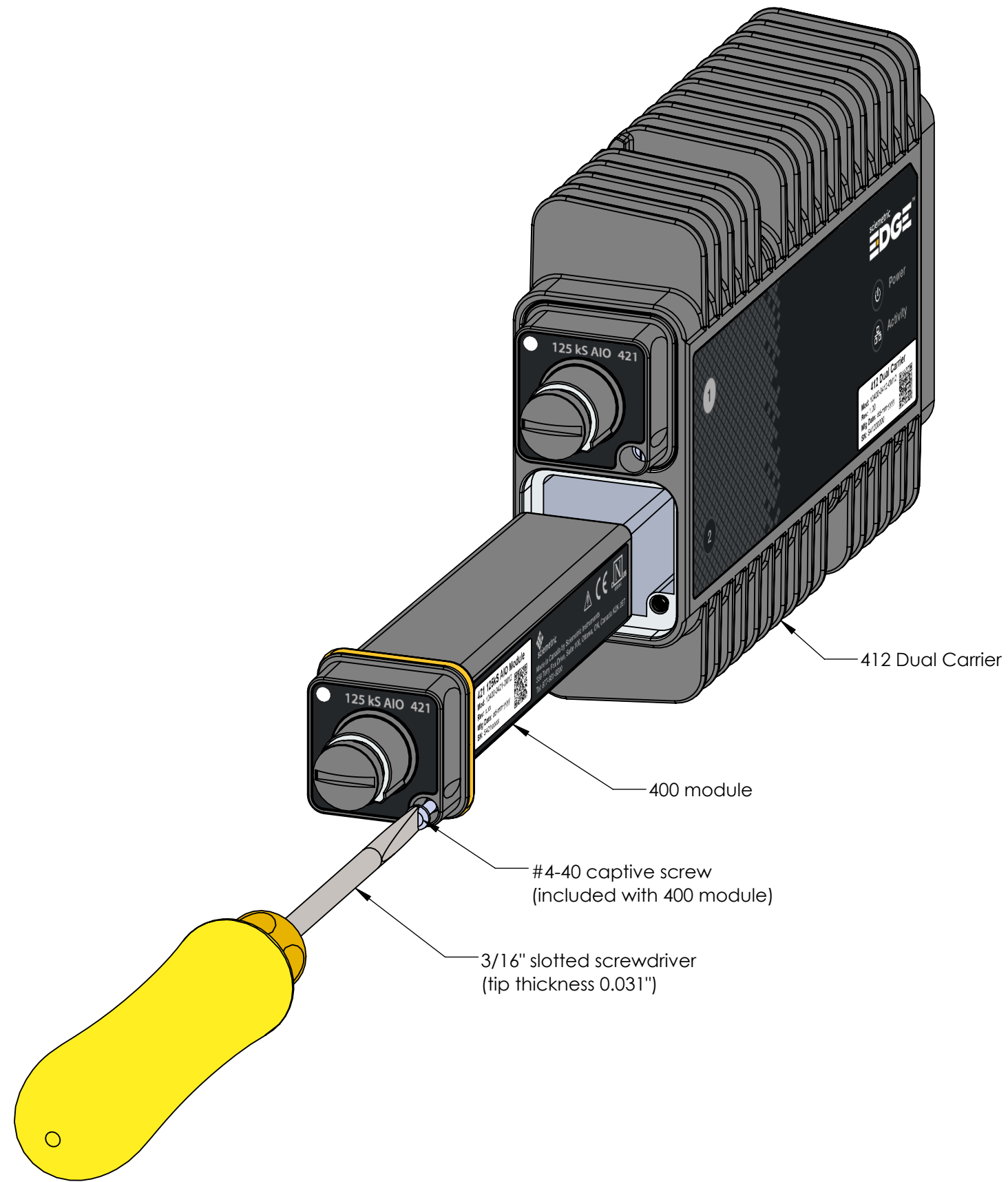
 Sciometric Instruments Inc.

TITLE:
 10400-0412-0M12 Mounting Information

The information contained in this drawing is the sole property of Sciometric Instruments Inc. It is to be used by others for the sole purpose it has been provided. This drawing may not be copied or reproduced, nor may its contents be disclosed to others, without the express written consent of Sciometric Instruments Inc.

| | |
|---|---------------------|
| DRAWING #: 10400-0431-0M12-ASSEMBLY | REV: 3.00 |
| SCALE: 1:2 | SIZE: B |
| SHEET 2 OF 8 | |

Sheet Template: B_size-IN-sciemetric-SW DWG Sheet_R6.sldprt



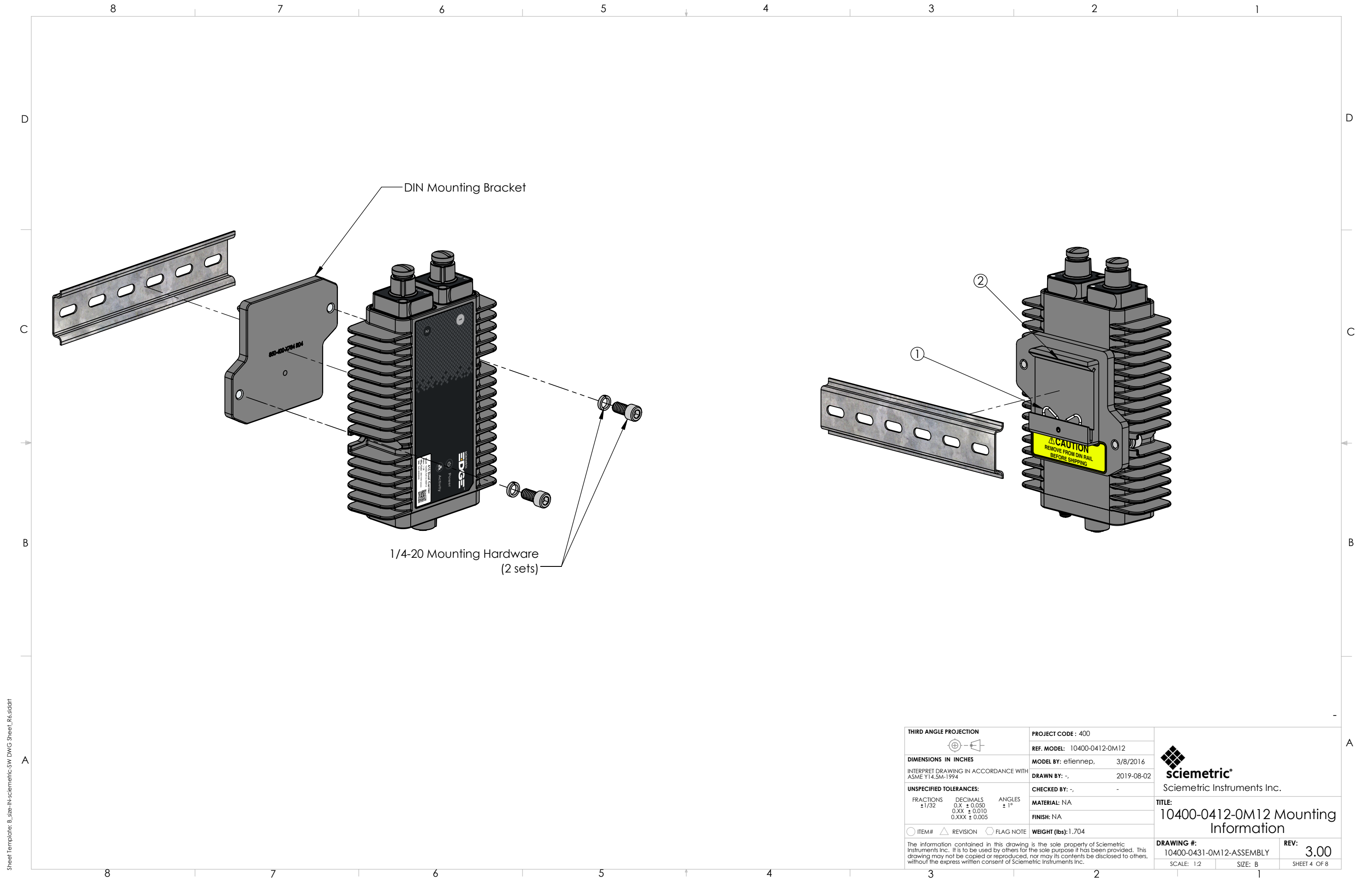
| | | |
|---|--|----------------|
| THIRD ANGLE PROJECTION | | |
| DIMENSIONS IN INCHES INTERPRET DRAWING IN ACCORDANCE WITH ASME Y14.5M-1994 | | |
| UNSPECIFIED TOLERANCES: | | |
| FRACTIONS ±1/32 | DECIMALS 0.X ± 0.050 0.XX ± 0.010 0.XXX ± 0.005 | ANGLES ± 1° |
| ○ ITEM# | △ REVISION | ◻ FLAG NOTE |

| |
|------------------------------|
| PROJECT CODE : 400 |
| REF. MODEL: 10400-0412-0M12 |
| MODEL BY: etiennep, 3/8/2016 |
| DRAWN BY: -, 2019-08-02 |
| CHECKED BY: -, - |
| MATERIAL: NA |
| FINISH: NA |
| WEIGHT (lbs): 1.704 |

sciometric
Sciometric Instruments Inc.

TITLE:
10400-0412-0M12 Mounting Information

| | | | |
|---|---------|---|---------------------|
| The information contained in this drawing is the sole property of Sciometric Instruments Inc. It is to be used by others for the sole purpose it has been provided. This drawing may not be copied or reproduced, nor may its contents be disclosed to others, without the express written consent of Sciometric Instruments Inc. | | DRAWING #: 10400-0431-0M12-ASSEMBLY | REV: 3.00 |
| SCALE: 1:1 | SIZE: B | SHEET 3 OF 8 | |



DIN Mounting Bracket

1/4-20 Mounting Hardware
(2 sets)

THIRD ANGLE PROJECTION




DIMENSIONS IN INCHES
INTERPRET DRAWING IN ACCORDANCE WITH
ASME Y14.5M-1994

UNSPECIFIED TOLERANCES:
FRACTIONS ±1/32 DECIMALS 0.X ± 0.050 ANGLES ± 1°
 0.XX ± 0.010
 0.XXX ± 0.005

○ ITEM# △ REVISION ◻ FLAG NOTE

PROJECT CODE : 400
REF. MODEL: 10400-0412-0M12
MODEL BY: etiennep, 3/8/2016
DRAWN BY: -, 2019-08-02
CHECKED BY: -, -
MATERIAL: NA
FINISH: NA
WEIGHT (lbs): 1.704



sciemetric
Sciemetric Instruments Inc.

TITLE:
10400-0412-0M12 Mounting Information

DRAWING #:
10400-0431-0M12-ASSEMBLY

REV:
3.00

SCALE: 1:2 SIZE: B SHEET 4 OF 8

Sheet Template: B_size-In-scimetric-SW DWG Sheet_R6.sldprt

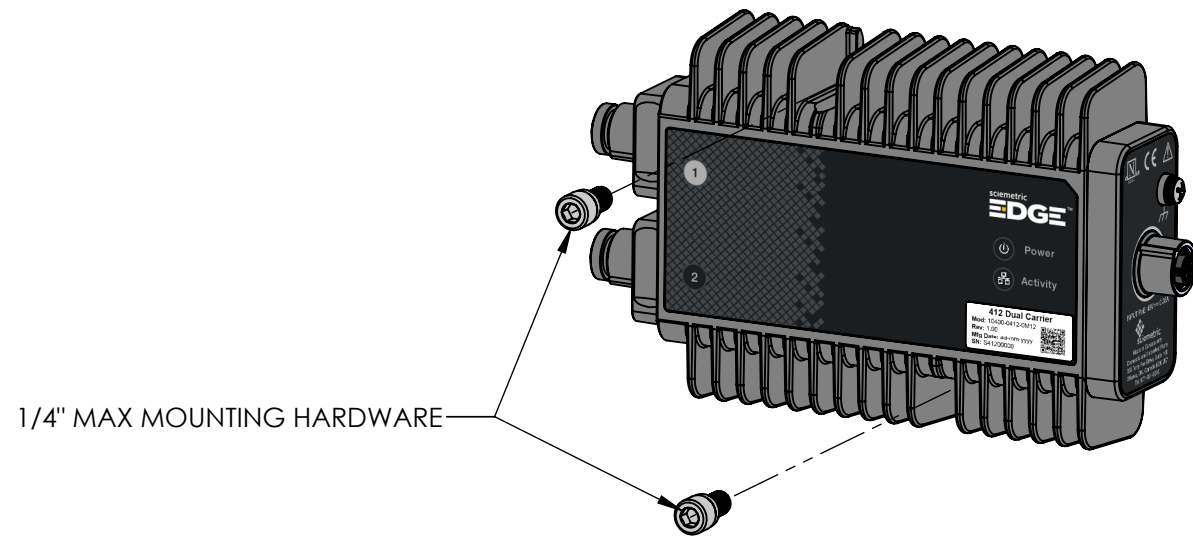
8 7 6 5 4 3 2 1

D

C

B

A



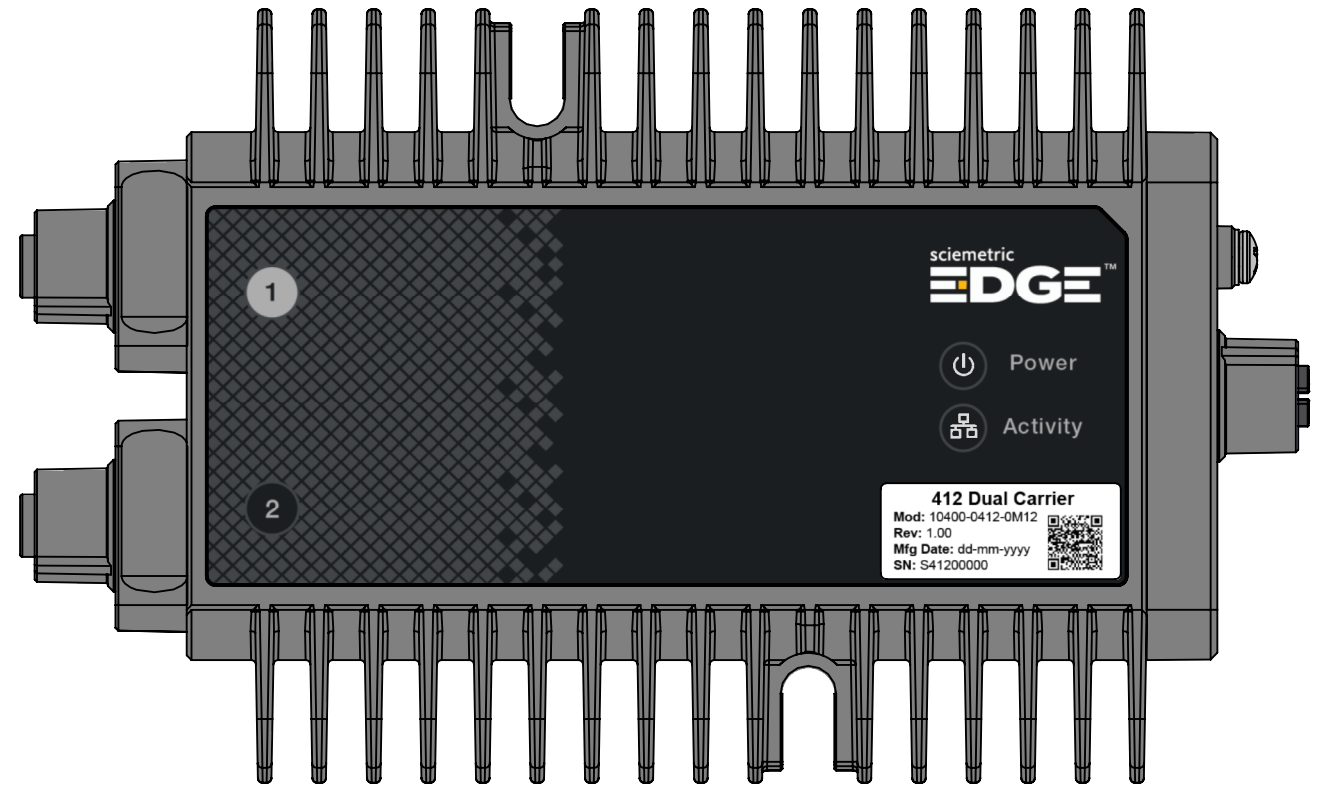
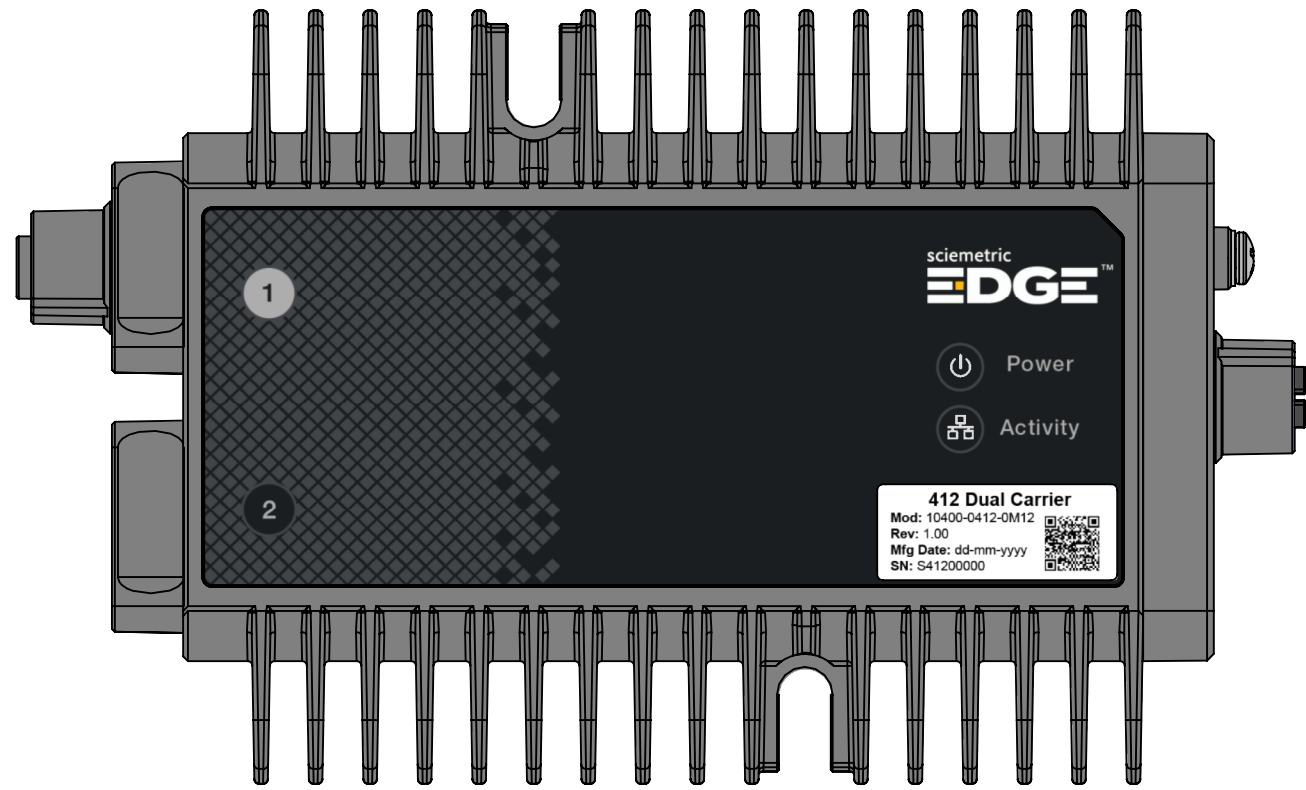
1/4" MAX MOUNTING HARDWARE

| | | | | | | |
|--|--|-------------------------------------|----------------------------|---|------------|-------------|
| THIRD ANGLE PROJECTION | | PROJECT CODE : 400 | | | | |
| DIMENSIONS IN INCHES | | REF. MODEL: 10400-0412-0M12 | | | | |
| INTERPRET DRAWING IN ACCORDANCE WITH ASME Y14.5M-1994 | | MODEL BY: etiennep, 3/8/2016 | | sciemetric® Sciemetric Instruments Inc. | | |
| UNSPECIFIED TOLERANCES: | | DRAWN BY: -, 2019-08-02 | | | | |
| FRACTIONS ±1/32 | DECIMALS 0.X ± 0.050 0.XX ± 0.010 0.XXX ± 0.005 | ANGLES ± 1° | CHECKED BY: -, - | TITLE: 10400-0412-0M12 Mounting Information | | |
| <table border="0"> <tr> <td>○ ITEM#</td> <td>△ REVISION</td> <td>◇ FLAG NOTE</td> </tr> </table> | | | ○ ITEM# | | △ REVISION | ◇ FLAG NOTE |
| ○ ITEM# | △ REVISION | ◇ FLAG NOTE | | | | |
| | | | FINISH: NA | DRAWING #: 10400-0431-0M12-ASSEMBLY | | |
| | | | WEIGHT (lbs): 1.704 | | | |
| <small>The information contained in this drawing is the sole property of Sciemetric Instruments Inc. It is to be used by others for the sole purpose it has been provided. This drawing may not be copied or reproduced, nor may its contents be disclosed to others, without the express written consent of Sciemetric Instruments Inc.</small> | | | | | | |
| | | SCALE: 1:2 | | REV: 3.00 | | |
| | | SIZE: B | | SHEET 5 OF 8 | | |

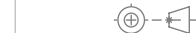
8 7 6 5 4 3 2 1

Sheet Template: B_size-IN-sciemetric-SW DWG Sheet_R6.sldprt

Sheet Template: B_size-IN-sciometric-SW DWG Sheet_R6.sldprt



THIRD ANGLE PROJECTION



DIMENSIONS IN INCHES
 INTERPRET DRAWING IN ACCORDANCE WITH
 ASME Y14.5M-1994

UNSPECIFIED TOLERANCES:

| FRACTIONS | DECIMALS | ANGLES |
|-----------|---------------|--------|
| ±1/32 | 0.X ± 0.050 | ± 1° |
| | 0.XX ± 0.010 | |
| | 0.XXX ± 0.005 | |

○ ITEM# △ REVISION ◻ FLAG NOTE

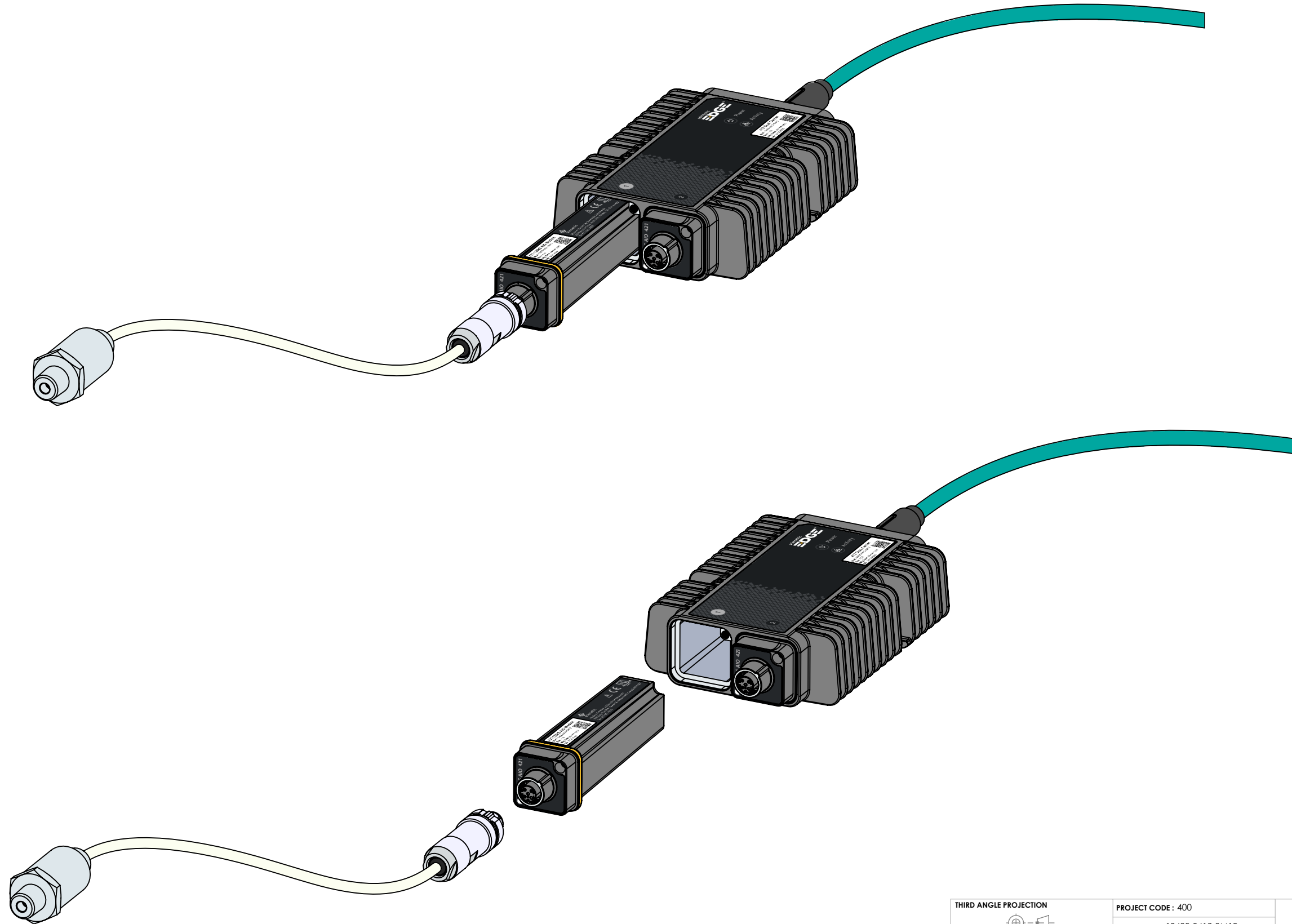
PROJECT CODE : 400
REF. MODEL: 10400-0412-0M12
MODEL BY: etiennep, 3/8/2016
DRAWN BY: -, 2019-08-02
CHECKED BY: -, -
MATERIAL: NA
FINISH: NA
WEIGHT (lbs): 1.704

The information contained in this drawing is the sole property of Sciometric Instruments Inc. It is to be used by others for the sole purpose it has been provided. This drawing may not be copied or reproduced, nor may its contents be disclosed to others, without the express written consent of Sciometric Instruments Inc.



TITLE:
 10400-0412-0M12 Mounting Information

| | |
|---|---------------------|
| DRAWING #: 10400-0431-0M12-ASSEMBLY | REV: 3.00 |
| SCALE: 1:1 | SIZE: B |
| SHEET 7 OF 8 | |



| | | | | |
|--|--|--|---|--|
| THIRD ANGLE PROJECTION | | | PROJECT CODE : 400 | |
| DIMENSIONS IN INCHES <small>INTERPRET DRAWING IN ACCORDANCE WITH ASME Y14.5M-1994</small> | | | REF. MODEL: 10400-0412-0M12 | |
| UNSPECIFIED TOLERANCES: FRACTIONS DECIMALS ANGLES $\pm 1/32$ $0.X \pm 0.050$ $\pm 1^\circ$ $0.XX \pm 0.010$ $0.XXX \pm 0.005$ | | | MODEL BY: etiennep, 3/8/2016 DRAWN BY: -, 2019-08-02 CHECKED BY: -, - | |
| <small>○ ITEM# △ REVISION ◻ FLAG NOTE</small> | | | MATERIAL: NA FINISH: NA WEIGHT (lbs): 1.704 | |

Sciometric Instruments Inc.

TITLE:
 10400-0412-0M12 Mounting Information

| | |
|---|---------------------|
| DRAWING #: 10400-0431-0M12-ASSEMBLY | REV: 3.00 |
| SCALE: 1:2 SIZE: B | SHEET 8 OF 8 |

Sheef Template: B_size-IN-sciometric-SW DWG Sheet_R6.sldprt