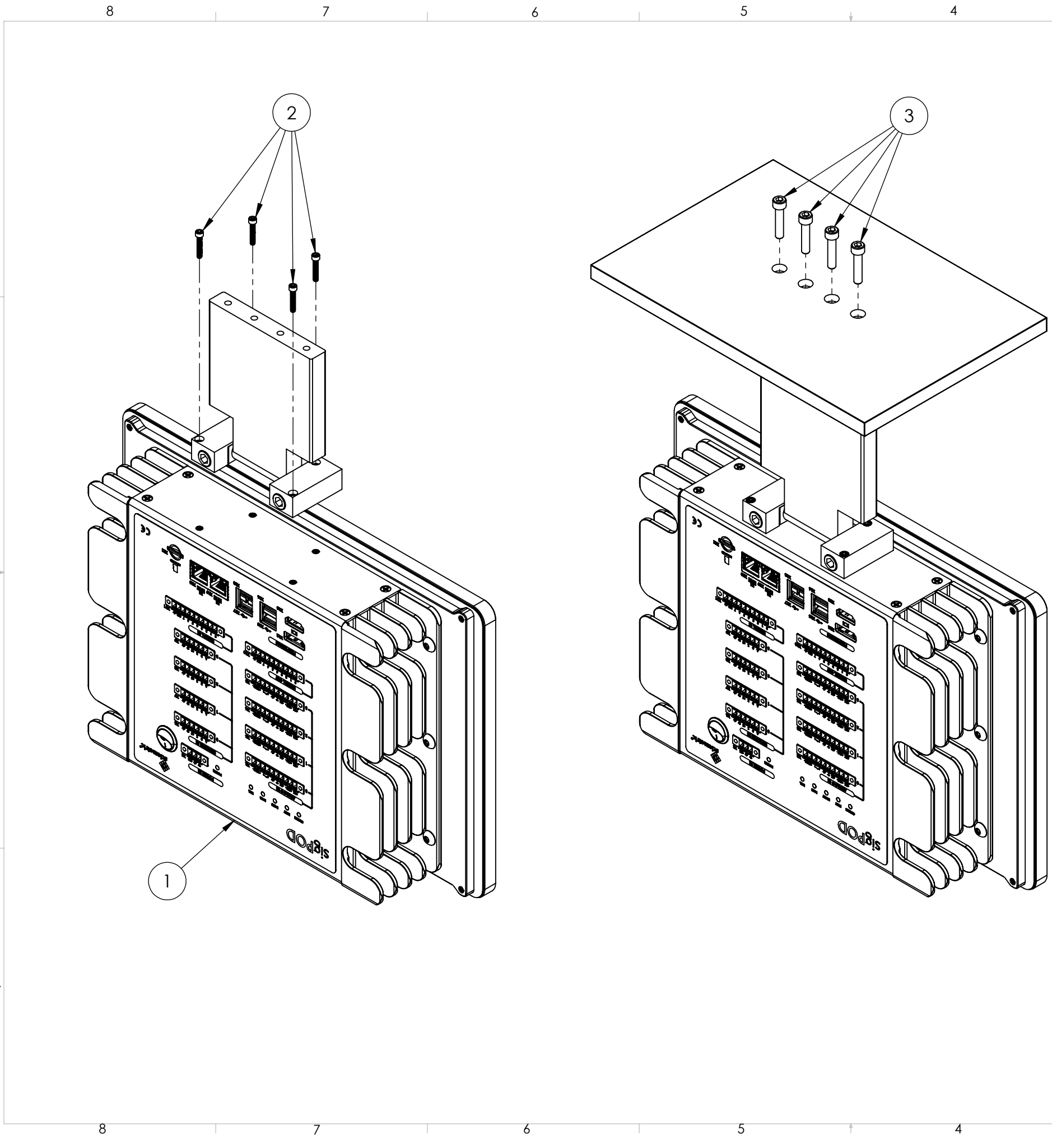
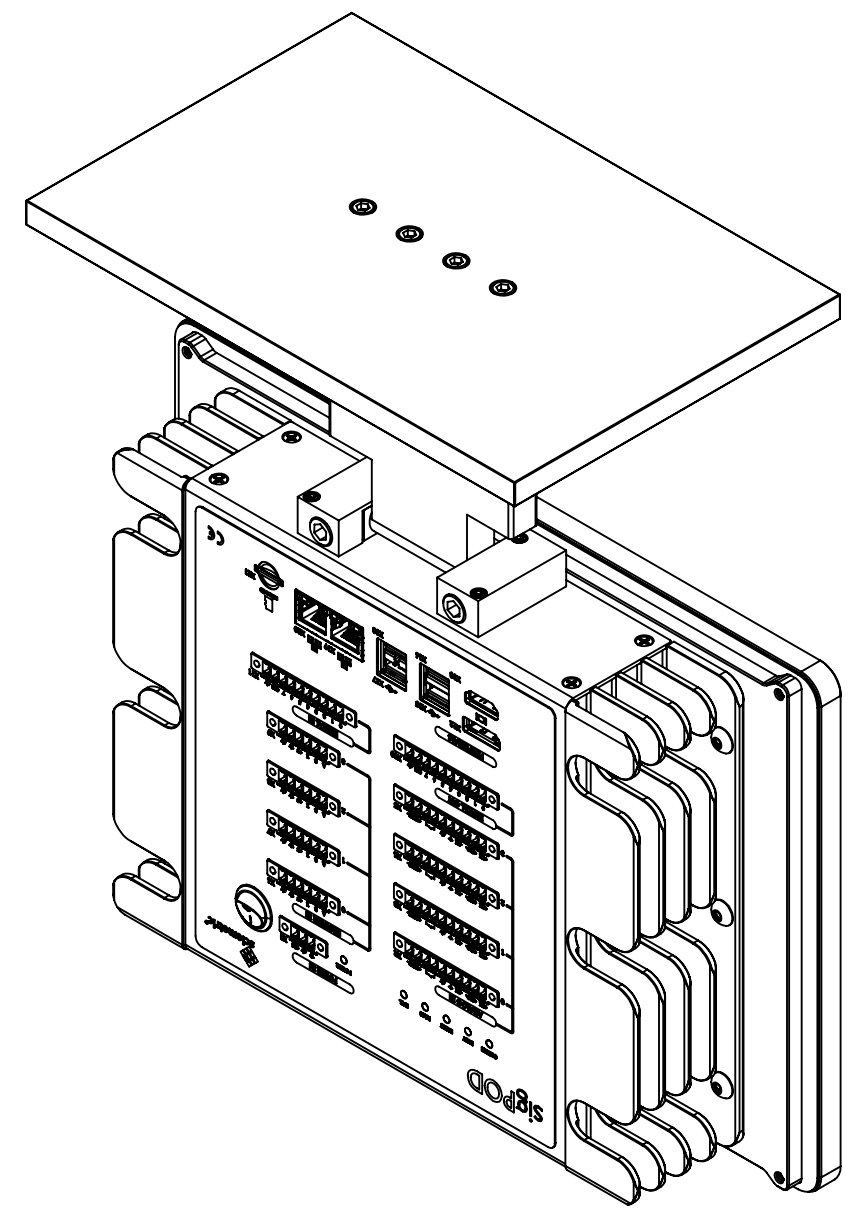


Sheet Template: B\_size-IN-sciemetric-SW DWG Sheet\_R6.sldprt



ITEM NO.	PART NUMBER	DESCRIPTION	QTY.
1	10500-220x-TH00	sigPOD 220x with TFT	1
2	HX-SHCS 0.112-40x0.625x0.625-S		4
3	HX-SHCS 0.19-32x0.875x0.875-N		4

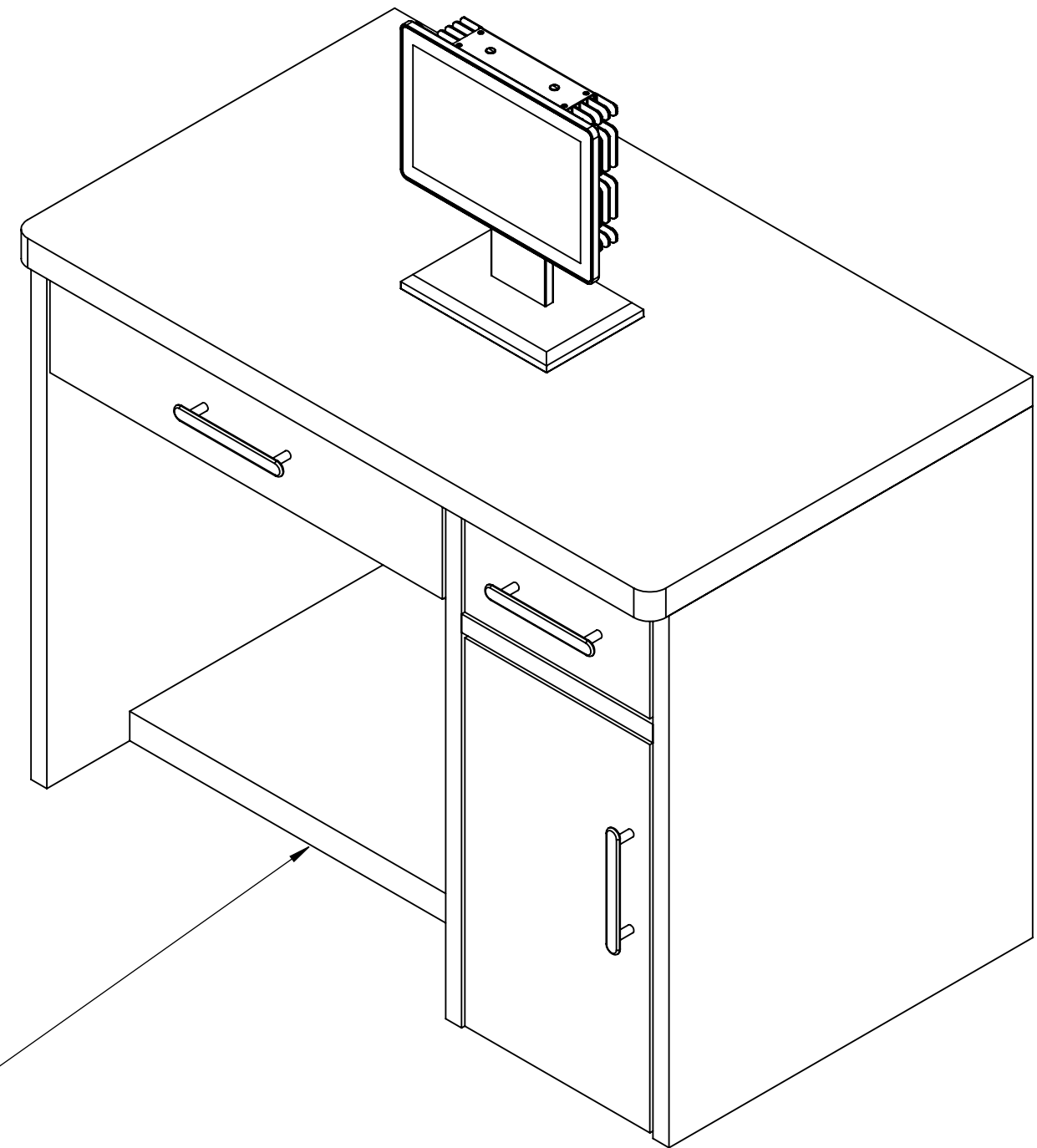
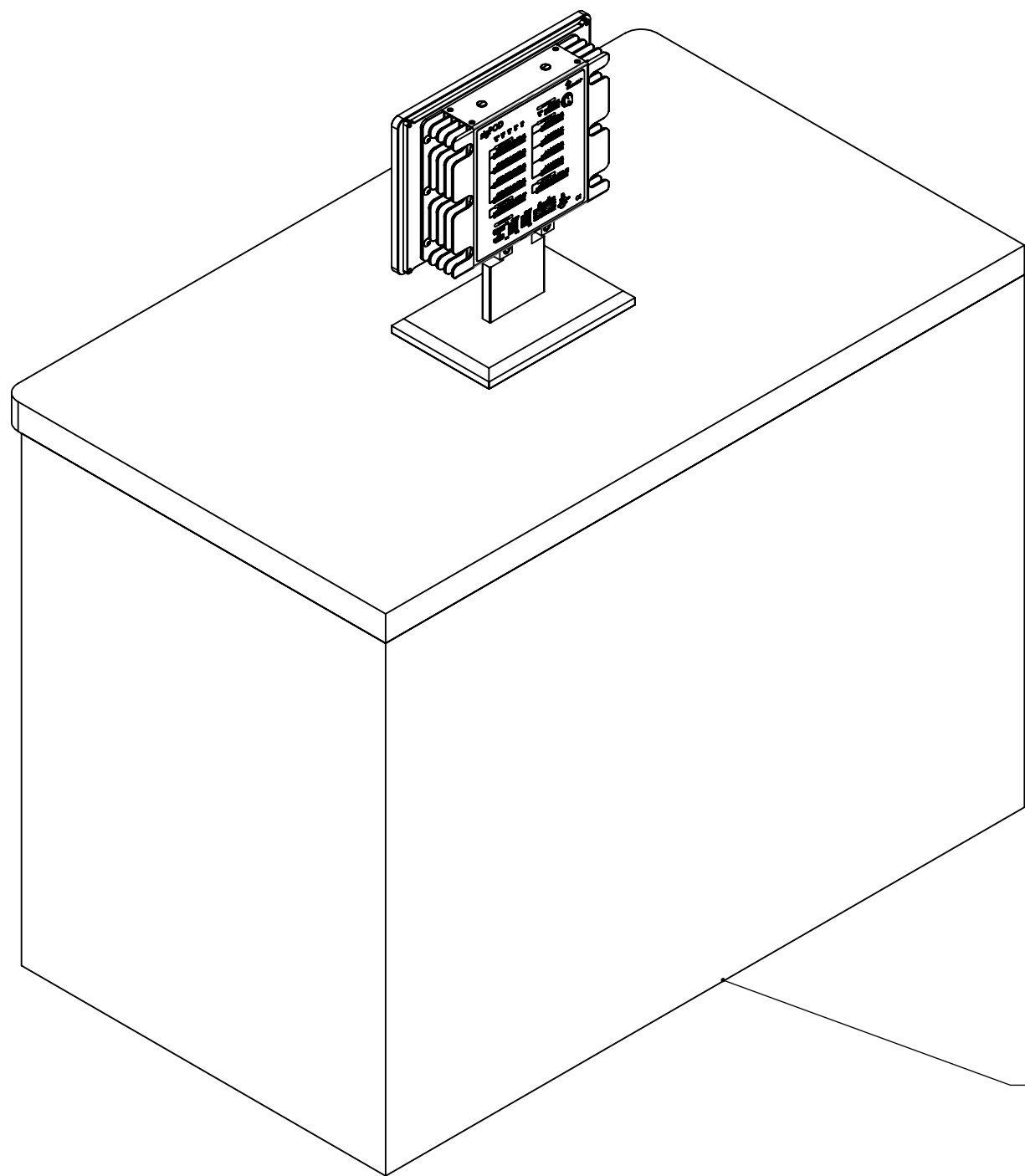


<b>THIRD ANGLE PROJECTION</b> 		<b>PROJECT CODE :</b> sigPOD 220x <b>REF. MODEL (REF):</b> - <b>MODEL BY:</b> stevenw, 2024-05-30 <b>DRAWN BY:</b> agaikwad, 2024-07-10 <b>CHECKED BY:</b> stevenw, 2024-07-10	 Sciemetric Instruments ULC <b>TITLE:</b> <h2 style="text-align: center;">DESK MOUNT ASSEMBLY</h2>											
<b>DIMENSIONS IN INCHES</b> INTERPRET DRAWING IN ACCORDANCE WITH ASME Y14.5M-1994 <b>UNSPECIFIED TOLERANCES:</b> <table style="font-size: small;"> <tr> <td>FRACTIONS</td> <td>DECIMALS</td> <td>ANGLES</td> </tr> <tr> <td>±1/32</td> <td>0.X ± 0.050</td> <td>± 1°</td> </tr> <tr> <td></td> <td>0.XX ± 0.010</td> <td></td> </tr> <tr> <td></td> <td>0.XXX ± 0.005</td> <td></td> </tr> </table>		FRACTIONS		DECIMALS	ANGLES	±1/32	0.X ± 0.050	± 1°		0.XX ± 0.010			0.XXX ± 0.005	
FRACTIONS	DECIMALS	ANGLES												
±1/32	0.X ± 0.050	± 1°												
	0.XX ± 0.010													
	0.XXX ± 0.005													
<small>○ ITEM#   △ REVISION   ◻ FLAG NOTE</small>		<b>DRAWING #:</b> 10500-1200-DSKO <small>SCALE: 1:2.5   SIZE: B</small>	<b>REV:</b> 1.00 <small>SHEET 1 OF 2</small>											

Sheet Template: B\_size-IN-sciemetric-SW DWG Sheet\_R6.sldprt

8 7 6 5 4 3 2 1

D  
C  
B  
A



DESK

8 7 6 5 4 3 2 1

<b>THIRD ANGLE PROJECTION</b> 		<b>PROJECT CODE :</b> sigPOD 220x <b>REF. MODEL (REF):</b> - <b>MODEL BY:</b> stevenw, 2024-05-30 <b>DRAWN BY:</b> agaikwad, 2024-07-10 <b>CHECKED BY:</b> stevenw, 2024-07-10 <b>MATERIAL:</b> NA <b>FINISH:</b> NA <b>WEIGHT (lbs):</b> -	 <b>sciometric</b> Sciometric Instruments ULC <b>TITLE:</b> <h2 style="text-align: center;">DESK MOUNT ASSEMBLY</h2>											
<b>DIMENSIONS IN INCHES</b> INTERPRET DRAWING IN ACCORDANCE WITH ASME Y14.5M-1994 <b>UNSPECIFIED TOLERANCES:</b> <table style="font-size: small;"> <tr> <td>FRACTIONS</td> <td>DECIMALS</td> <td>ANGLES</td> </tr> <tr> <td>±1/32</td> <td>0.X ± 0.050</td> <td>± 1°</td> </tr> <tr> <td></td> <td>0.XX ± 0.010</td> <td></td> </tr> <tr> <td></td> <td>0.XXX ± 0.005</td> <td></td> </tr> </table>		FRACTIONS		DECIMALS	ANGLES	±1/32	0.X ± 0.050	± 1°		0.XX ± 0.010			0.XXX ± 0.005	
FRACTIONS	DECIMALS	ANGLES												
±1/32	0.X ± 0.050	± 1°												
	0.XX ± 0.010													
	0.XXX ± 0.005													

The information contained in this drawing is the sole property of Sciometric Instruments Inc. It is to be used by others for the sole purpose it has been provided. This drawing may not be copied or reproduced, nor may its contents be disclosed to others, without the express written consent of Sciometric Instruments Inc.