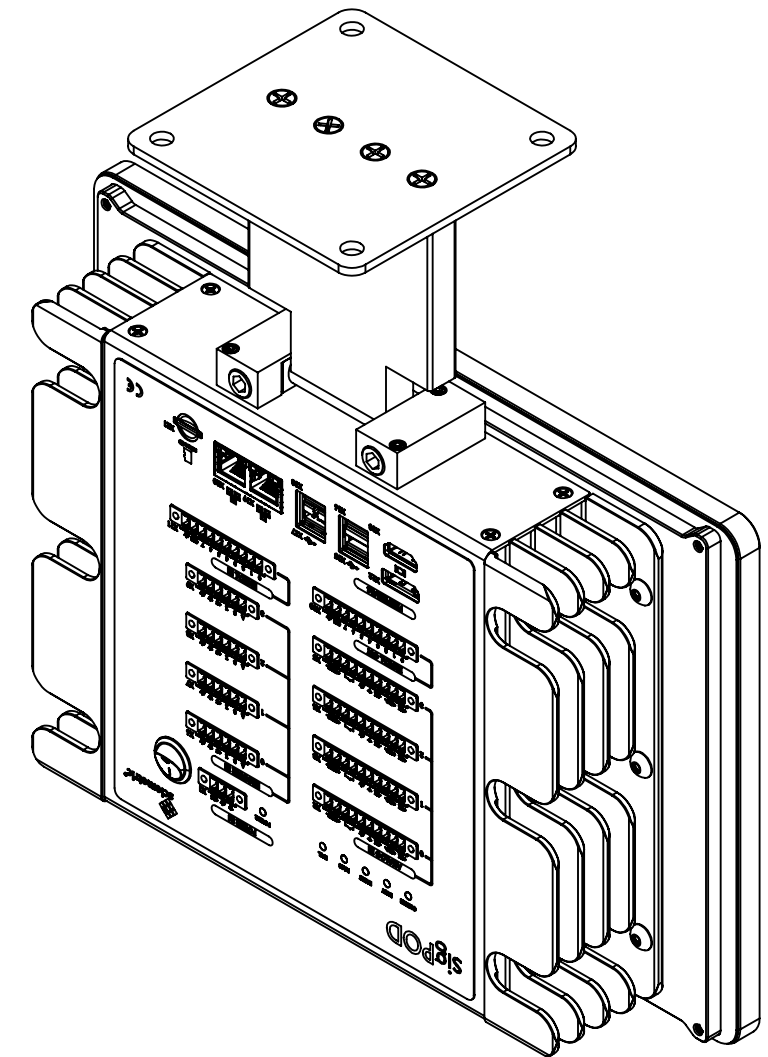
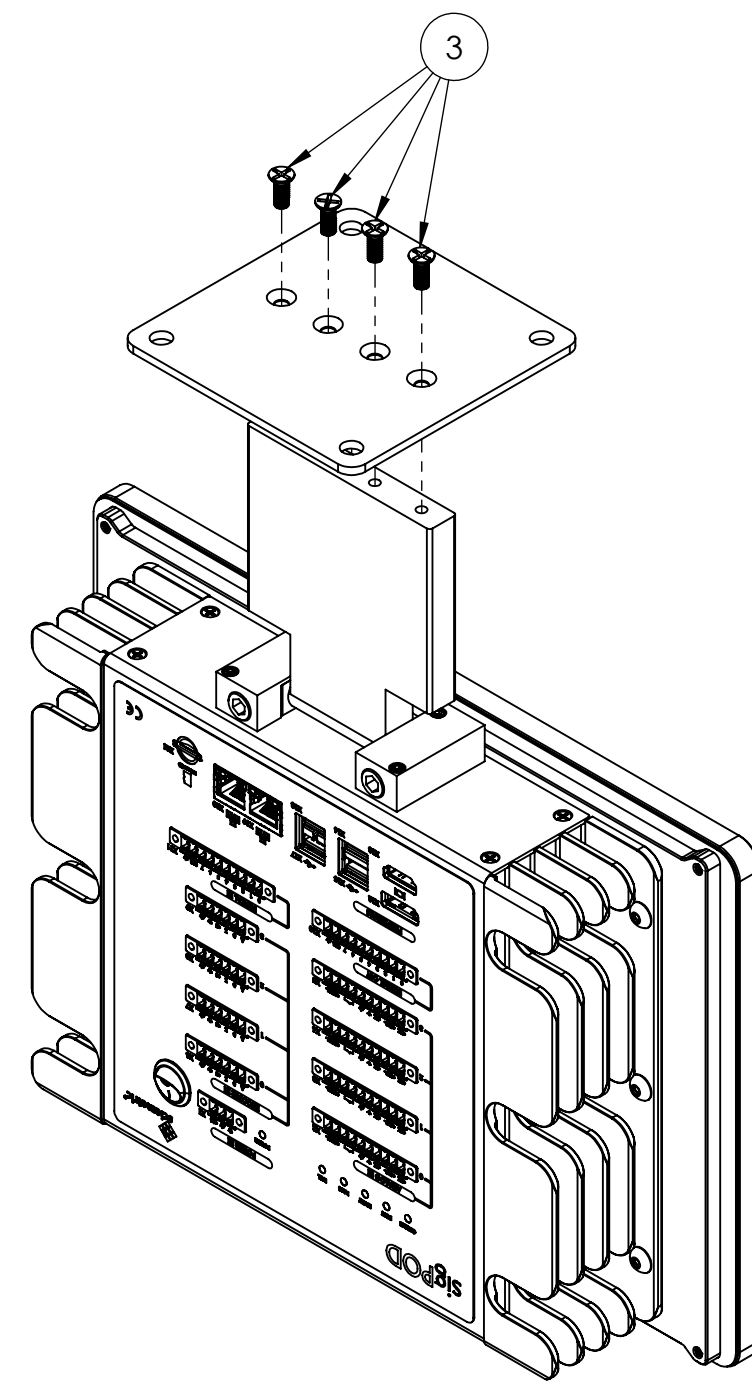
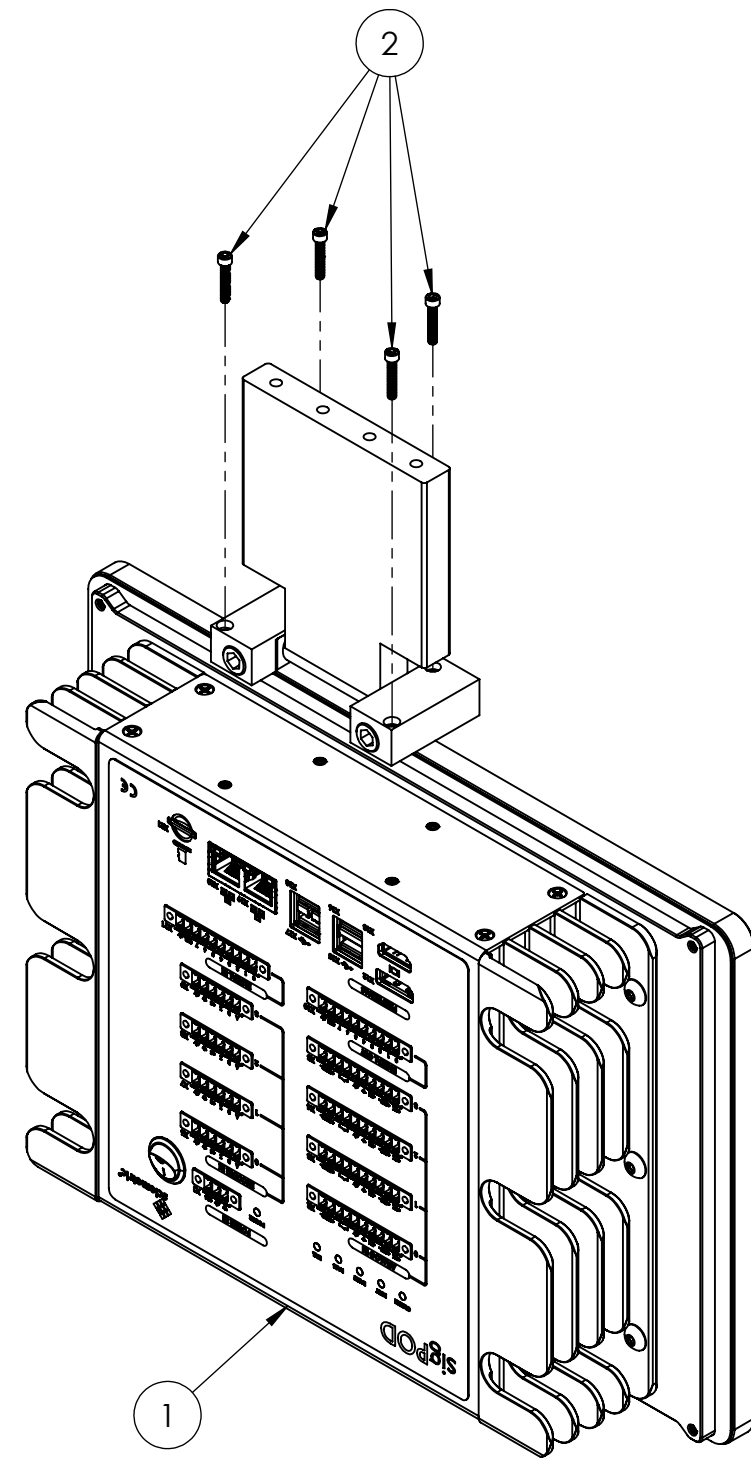


Sheet Template: B_size-IN-sciemetric-SW DWG Sheet_R6.sldprt



ITEM NO.	PART NUMBER	DESCRIPTION	QTY.
1	10500-220x-TH00	sigPOD 220x with TFT	1
2	HX-SHCS 0.112-40x0.625x0.625-S		4
3	CR-FHMS 0.19-32x0.5x0.5-S		4

THIRD ANGLE PROJECTION 		PROJECT CODE : sigPOD 220x REF. MODEL (REF): - MODEL BY: stevenw, 2024-05-30 DRAWN BY: agaikwad, 2024-07-10 CHECKED BY: stevenw, 2024-07-10	 Sciemetric Instruments ULC TITLE: <h2 style="text-align: center;">MACHINE MOUNT ASSEMBLY</h2>											
DIMENSIONS IN INCHES INTERPRET DRAWING IN ACCORDANCE WITH ASME Y14.5M-1994 UNSPECIFIED TOLERANCES: <table style="font-size: small;"> <tr> <td>FRACTIONS</td> <td>DECIMALS</td> <td>ANGLES</td> </tr> <tr> <td>±1/32</td> <td>0.X ± 0.050</td> <td>± 1°</td> </tr> <tr> <td></td> <td>0.XX ± 0.010</td> <td></td> </tr> <tr> <td></td> <td>0.XXX ± 0.005</td> <td></td> </tr> </table>		FRACTIONS		DECIMALS	ANGLES	±1/32	0.X ± 0.050	± 1°		0.XX ± 0.010			0.XXX ± 0.005	
FRACTIONS	DECIMALS	ANGLES												
±1/32	0.X ± 0.050	± 1°												
	0.XX ± 0.010													
	0.XXX ± 0.005													
<small>○ ITEM# △ REVISION ◻ FLAG NOTE</small>		DRAWING #: 10500-1200-MCH0 <small>SCALE: 1:2.5 SIZE: B</small>	REV: 1.00 <small>SHEET 1 OF 2</small>											

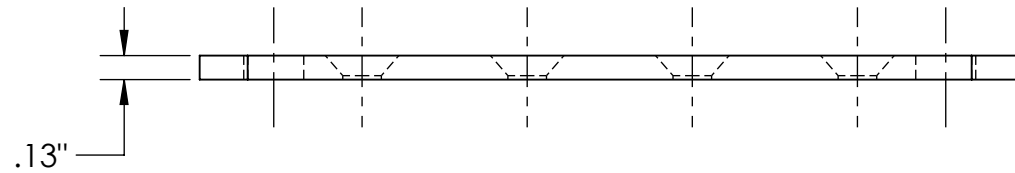
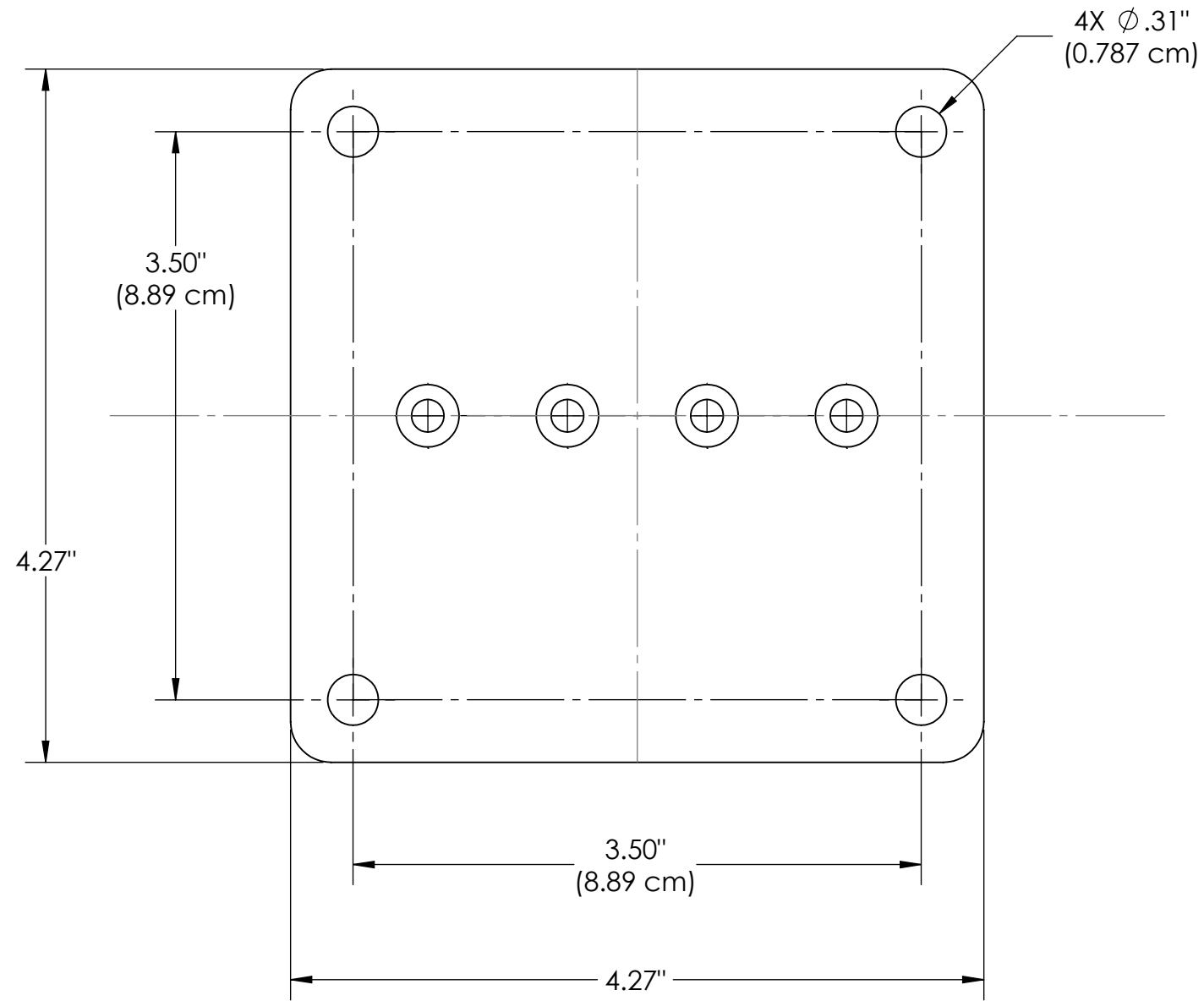
8 7 6 5 4 3 2 1

D
C
B
A

D
C
B
A

8 7 6 5 4 3 2 1

Sheet Template: B_size-IN-sciemetric-SW DWG Sheet_R6.sldprt



THIRD ANGLE PROJECTION 		PROJECT CODE : sigPOD 220x	 Sciometric Instruments ULC
DIMENSIONS IN INCHES INTERPRET DRAWING IN ACCORDANCE WITH ASME Y14.5M-1994		REF. MODEL (REF): -	
UNSPECIFIED TOLERANCES: FRACTIONS ±1/32 DECIMALS 0.X ± 0.050 0.XX ± 0.010 ANGLES ± 1° 0.XXX ± 0.005		MODEL BY: stevenw, 2024-05-30	TITLE: MACHINE MOUNT ASSEMBLY
○ ITEM# △ REVISION ◻ FLAG NOTE		DRAWN BY: agaikwad, 2024-07-10	
		CHECKED BY: stevenw, 2024-07-10	
		MATERIAL: NA	DRAWING #: 10500-1200-MCHO REV: 1.00
		FINISH: NA	
		WEIGHT (lbs): -	SCALE: 1:1 SIZE: B SHEET 2 OF 2

8 7 6 5 4 3 2 1

D

D

C

C

B

B

A

A

8 7 6 5 4 3 2 1