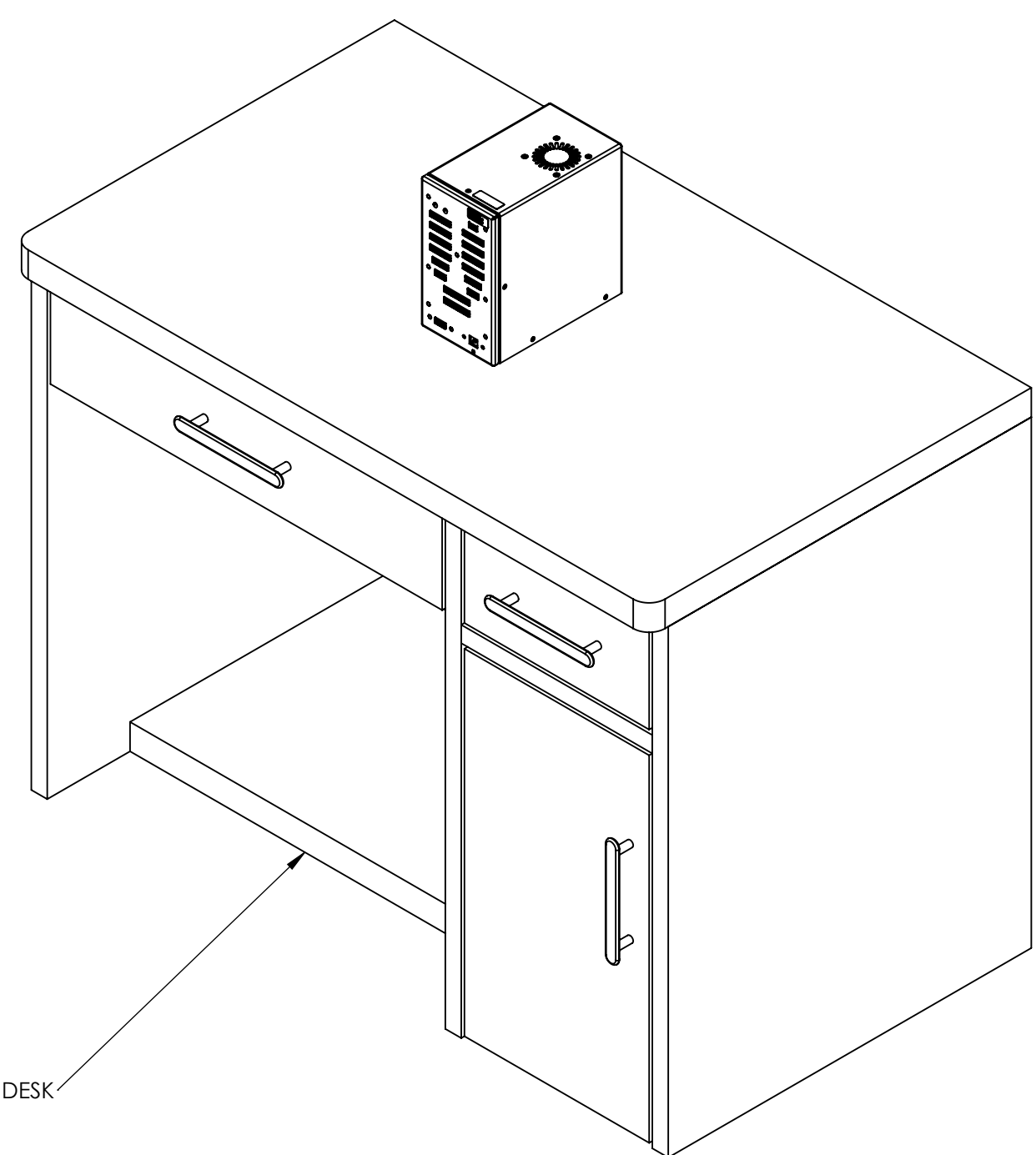
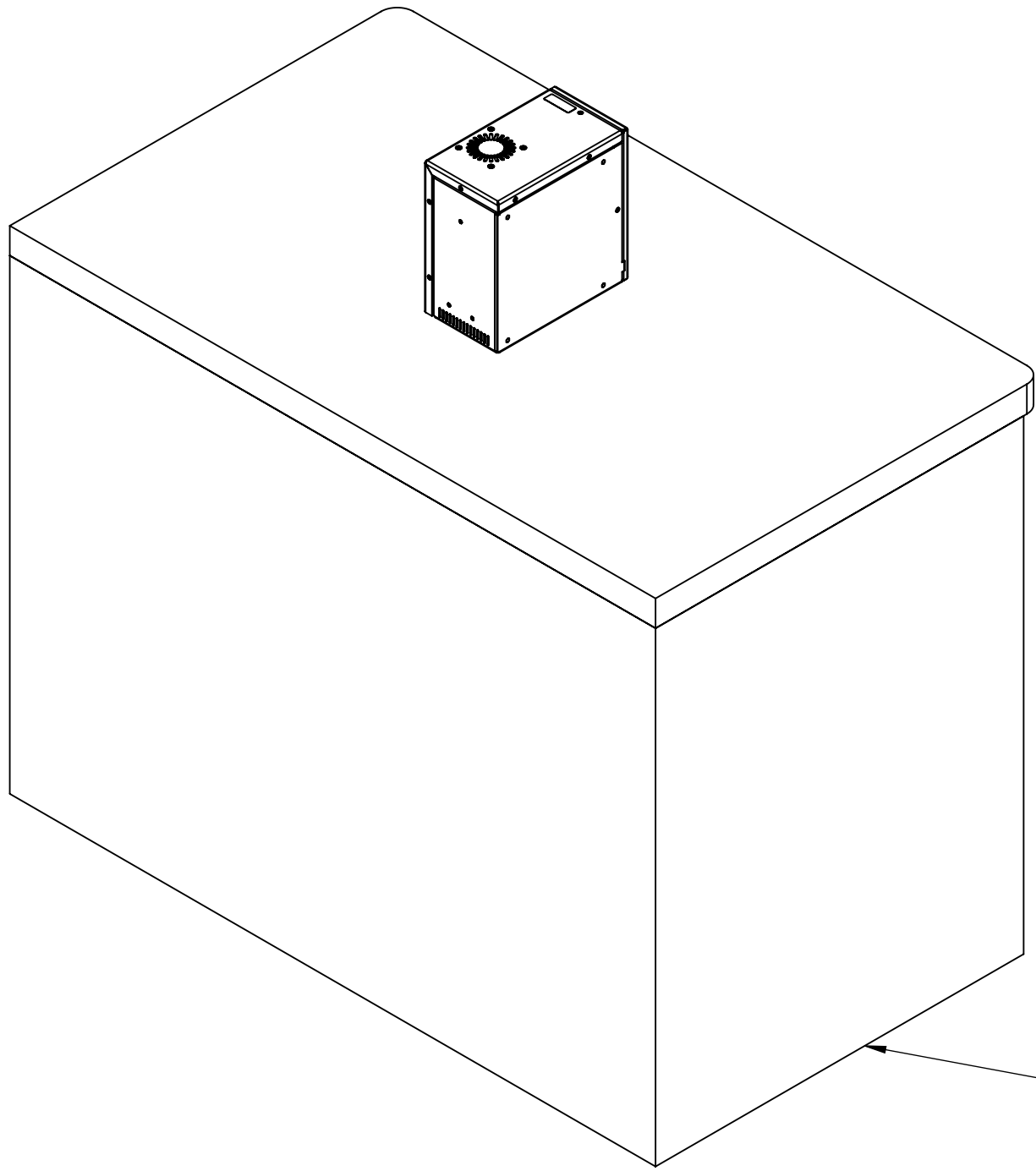


THIRD ANGLE PROJECTION 		PROJECT CODE : 1608 REF. MODEL (REF): 10500-1608-0000 (1.00)	 Sciometric Instruments ULC
DIMENSIONS IN INCHES <small>INTERPRET DRAWING IN ACCORDANCE WITH ASME Y14.5M-1994</small>		MODEL BY: agaikwad, 17-11-2025 DRAWN BY: agaikwad, 17-11-2025	
UNSPECIFIED TOLERANCES: <small>FRACTIONS ±1/32 DECIMALS 0.X ± 0.050 ANGLES ± 1° 0.XX ± 0.010 0.XXX ± 0.005</small>		CHECKED BY: MATERIAL: MISC FINISH: MISC	TITLE: <h3>sigPOD 1608 DESK MOUNT ASSEMBLY</h3>
<small>○ ITEM# △ REVISION ◯ FLAG NOTE</small>		WEIGHT (lbs):	DRAWING #: 10500-1608-DSKO <small>SCALE: 1:2 SIZE: B SHEET 1 OF 2</small>
<small>The information contained in this drawing is the sole property of Sciometric Instruments Inc. It is to be used by others for the sole purpose it has been provided. This drawing may not be copied or reproduced, nor may its contents be disclosed to others, without the express written consent of Sciometric Instruments Inc.</small>		REV: 1	

Sheet Template: B_size-IN-sciometric-SW DWG Sheet_R6.sldprt

Sheet Template: B_size-IN-sciemetric-SW DWG Sheet_R6.sldprt



DESK

THIRD ANGLE PROJECTION 		PROJECT CODE : 1608 REF. MODEL (REF): 10500-1608-0000 (1.00) MODEL BY: agaikwad, 17-11-2025 DRAWN BY: agaikwad, 17-11-2025 CHECKED BY: MATERIAL: MISC FINISH: MISC WEIGHT (lbs):	 Sciometric Instruments ULC TITLE: <h3>sigPOD 1608 DESK MOUNT ASSEMBLY</h3>											
DIMENSIONS IN INCHES <small>INTERPRET DRAWING IN ACCORDANCE WITH ASME Y14.5M-1994</small> UNSPECIFIED TOLERANCES: <table border="0"> <tr> <td>FRACTIONS</td> <td>DECIMALS</td> <td>ANGLES</td> </tr> <tr> <td>±1/32</td> <td>0.X ± 0.050</td> <td>± 1°</td> </tr> <tr> <td></td> <td>0.XX ± 0.010</td> <td></td> </tr> <tr> <td></td> <td>0.XXX ± 0.005</td> <td></td> </tr> </table>		FRACTIONS		DECIMALS	ANGLES	±1/32	0.X ± 0.050	± 1°		0.XX ± 0.010			0.XXX ± 0.005	
FRACTIONS	DECIMALS	ANGLES												
±1/32	0.X ± 0.050	± 1°												
	0.XX ± 0.010													
	0.XXX ± 0.005													

The information contained in this drawing is the sole property of Sciometric Instruments Inc. It is to be used by others for the sole purpose it has been provided. This drawing may not be copied or reproduced, nor may its contents be disclosed to others, without the express written consent of Sciometric Instruments Inc.