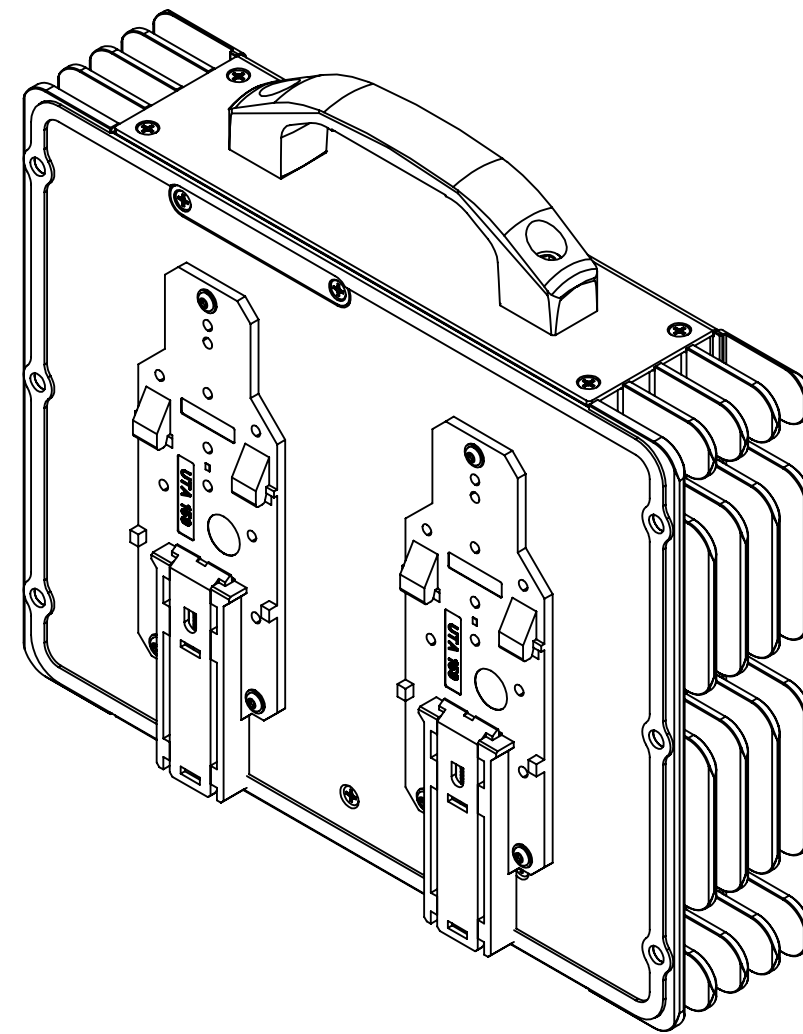
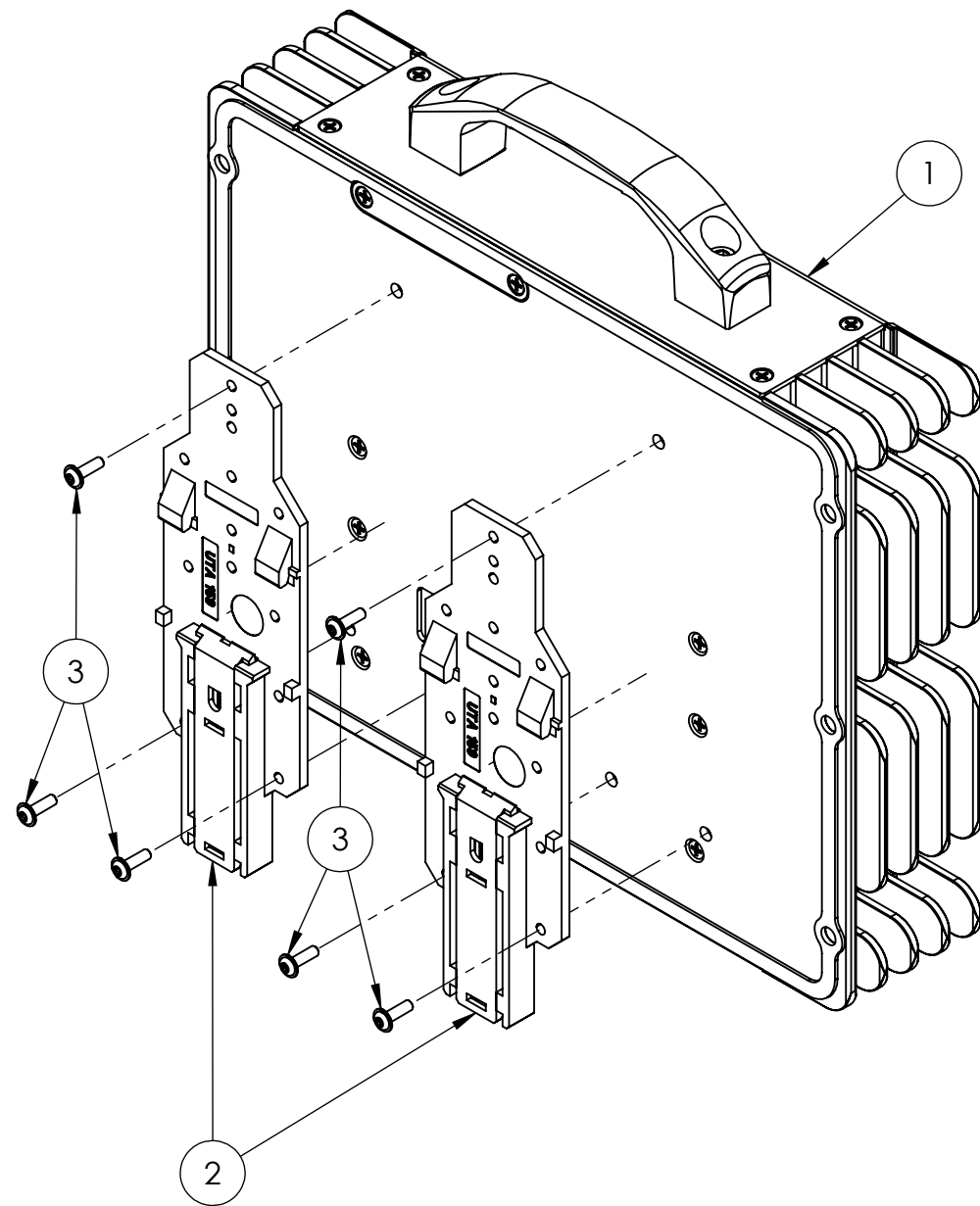


DIN BRACKET ASSEMBLY

ITEM NO.	PART NUMBER	DESCRIPTION	QTY.
1	1500-220x-0H00	sigPOD 220x no TFT	1
2	6600000476	UTA 159 - DIN rail adapter	2
3	6100M3FB10	Flanged Button Head Screw - M3x10L	6



THIRD ANGLE PROJECTION		
DIMENSIONS IN INCHES		
INTERPRET DRAWING IN ACCORDANCE WITH ASME Y14.5M-1994		
UNSPECIFIED TOLERANCES:		
FRACTIONS ±1/32	DECIMALS 0.X ± 0.050 0.XX ± 0.010 0.XXX ± 0.005	ANGLES ± 1°
○ ITEM#	△ REVISION	◊ FLAG NOTE

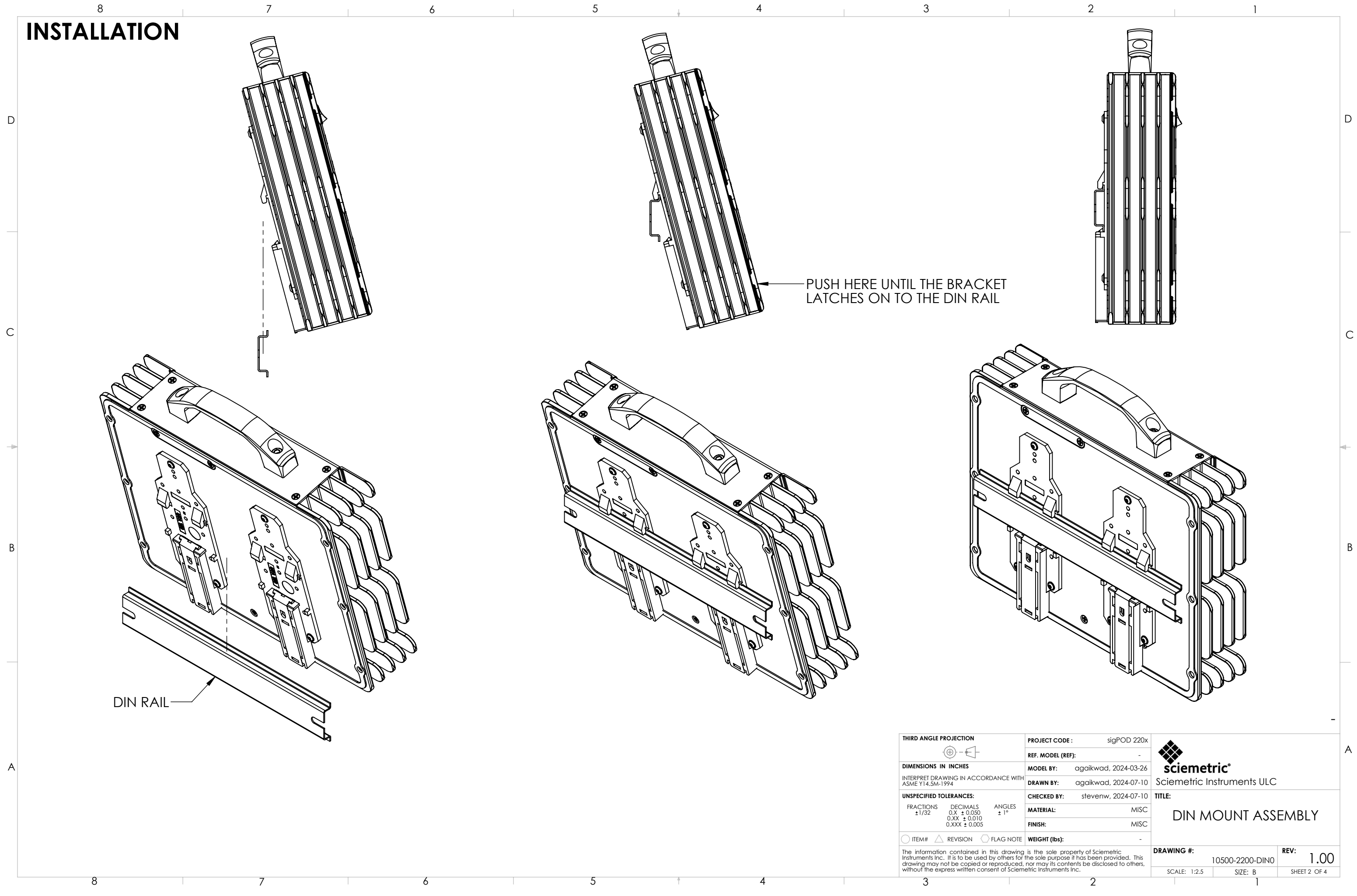
PROJECT CODE:	sigPOD 220x
REF. MODEL (REF):	-
MODEL BY:	agaikwad, 2024-03-26
DRAWN BY:	agaikwad, 2024-07-10
CHECKED BY:	stevenw, 2024-07-10
MATERIAL:	MISC
FINISH:	MISC
WEIGHT (lbs):	-

Sciometric Instruments ULC

TITLE: DIN MOUNT ASSEMBLY

DRAWING #: 10500-2200-DINO **REV:** 1.00
 SCALE: 1:2 SIZE: B SHEET 1 OF 4

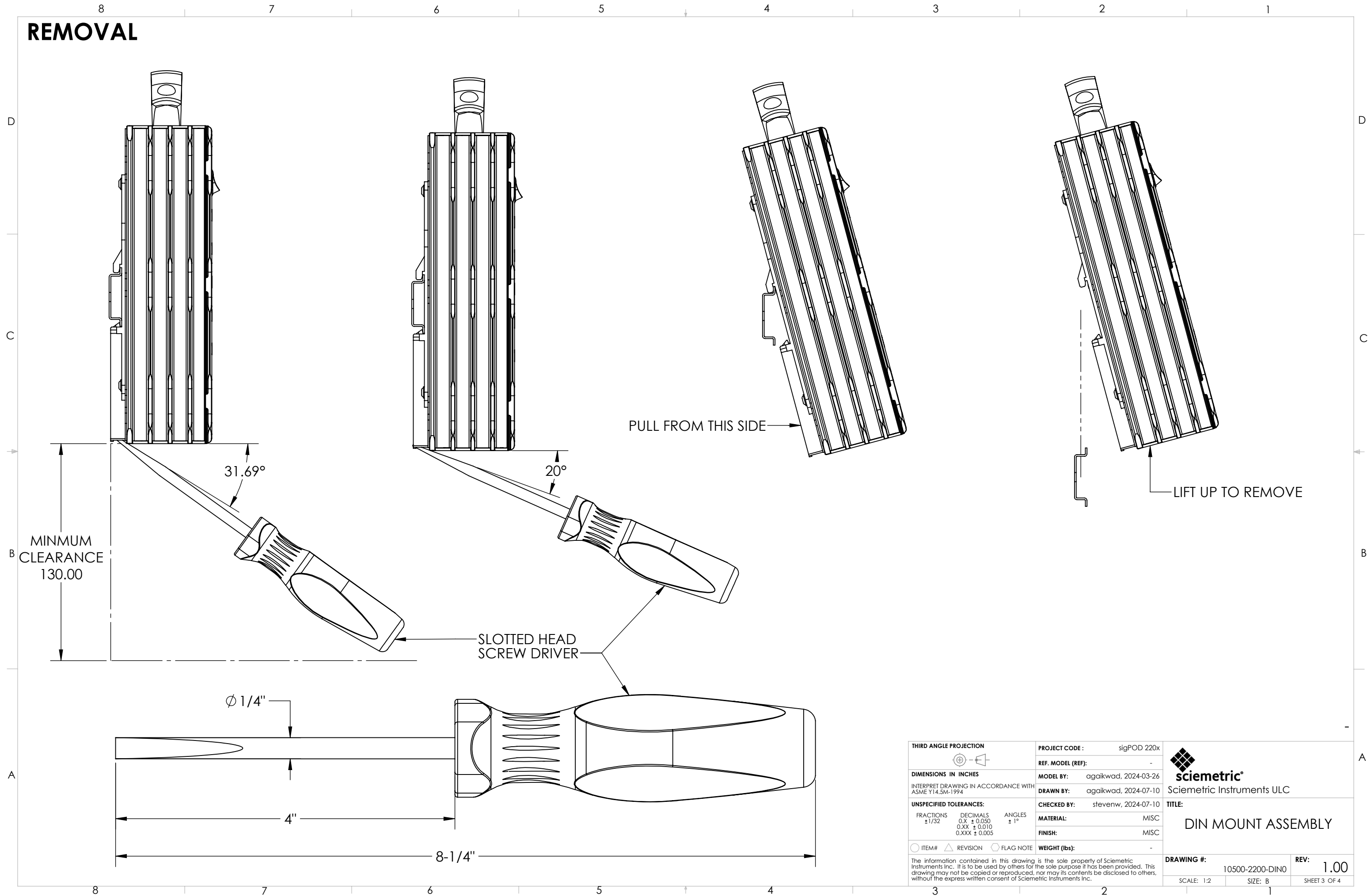
INSTALLATION



THIRD ANGLE PROJECTION 		PROJECT CODE : sigPOD 220x REF. MODEL (REF): - MODEL BY: agaikwad, 2024-03-26 DRAWN BY: agaikwad, 2024-07-10 CHECKED BY: stevenw, 2024-07-10 MATERIAL: MISC FINISH: MISC WEIGHT (lbs): -	 Sciometric Instruments ULC TITLE: <h2>DIN MOUNT ASSEMBLY</h2>											
DIMENSIONS IN INCHES <small>INTERPRET DRAWING IN ACCORDANCE WITH ASME Y14.5M-1994</small>		DRAWING #: 10500-2200-DINO SCALE: 1:2.5 SIZE: B SHEET 2 OF 4												
UNSPECIFIED TOLERANCES: <table border="0"> <tr> <td>FRACTIONS</td> <td>DECIMALS</td> <td>ANGLES</td> </tr> <tr> <td>±1/32</td> <td>0.X ± 0.050</td> <td>± 1°</td> </tr> <tr> <td></td> <td>0.XX ± 0.010</td> <td></td> </tr> <tr> <td></td> <td>0.XXX ± 0.005</td> <td></td> </tr> </table>		FRACTIONS	DECIMALS	ANGLES	±1/32	0.X ± 0.050	± 1°		0.XX ± 0.010			0.XXX ± 0.005		REV: 1.00
FRACTIONS	DECIMALS	ANGLES												
±1/32	0.X ± 0.050	± 1°												
	0.XX ± 0.010													
	0.XXX ± 0.005													
<small>○ ITEM# △ REVISION ◻ FLAG NOTE</small>														

Sheet Template: B_size-In-sciometric-SW DWG Sheet_R6.sldprt

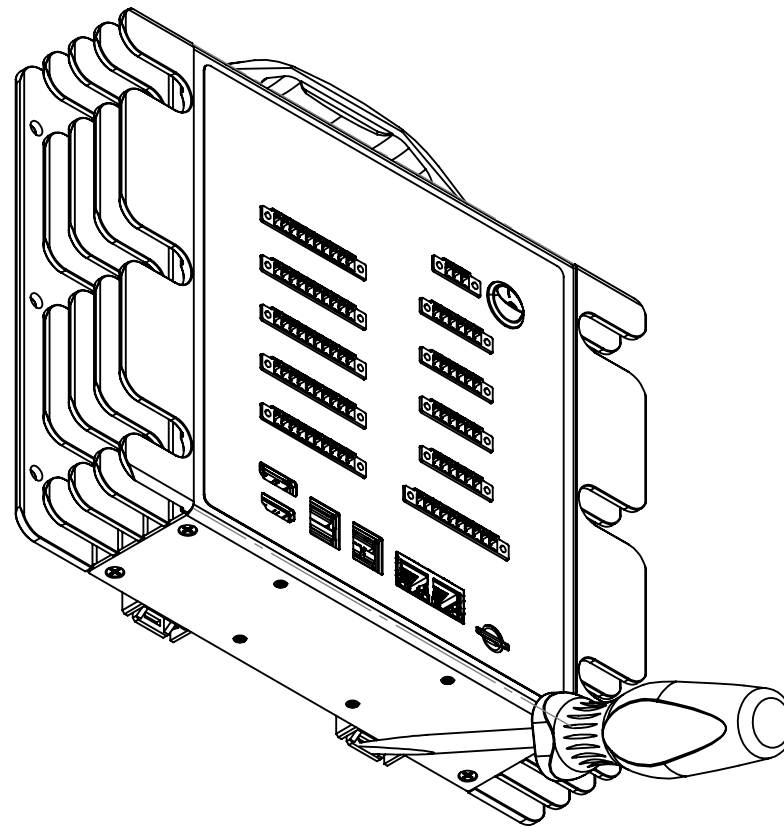
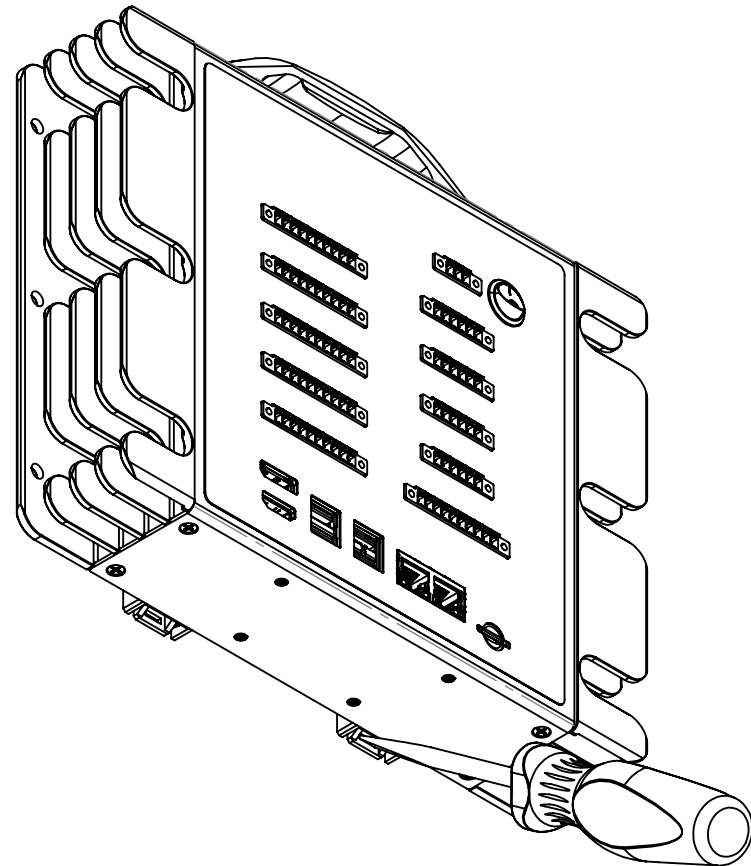
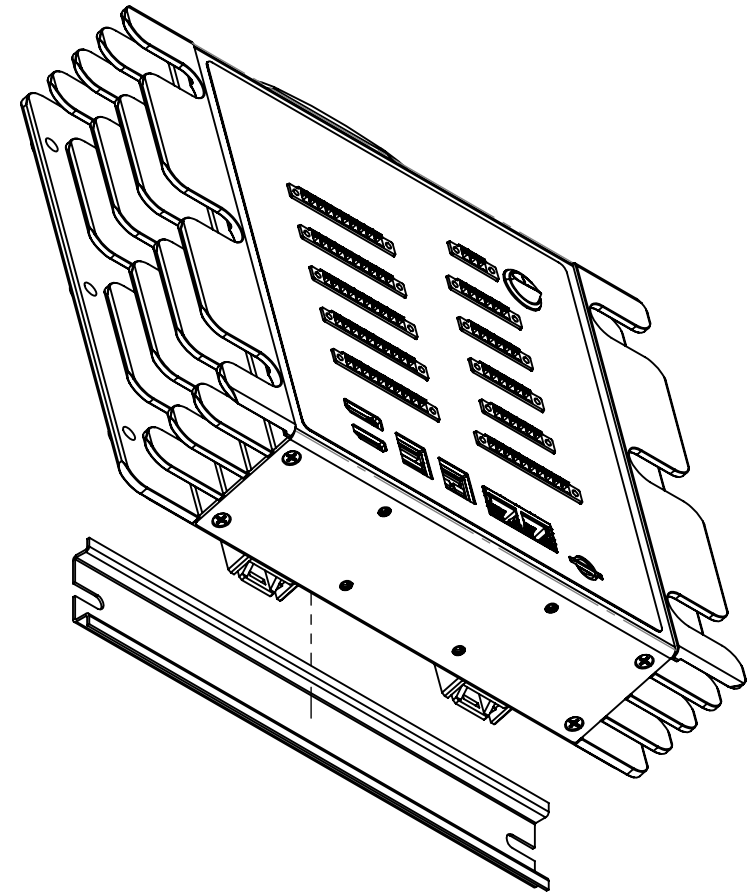
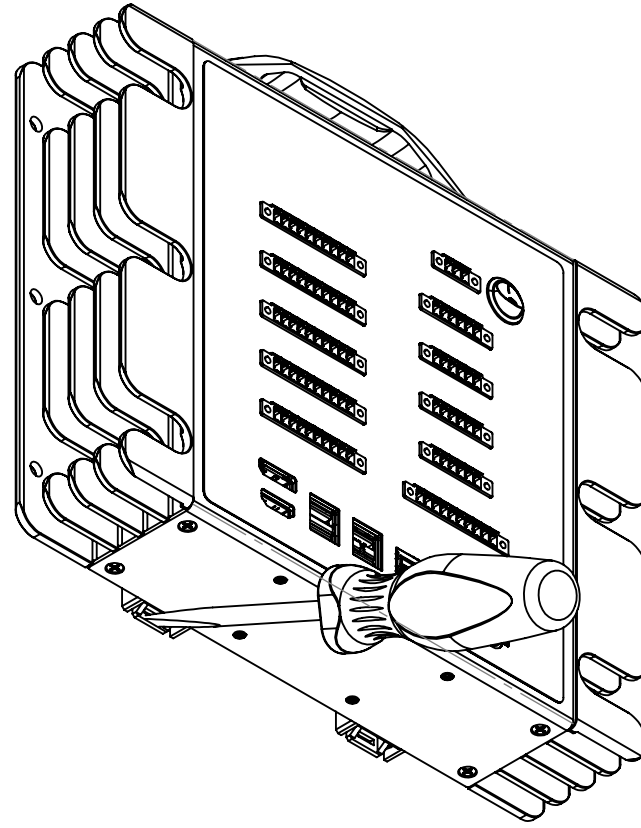
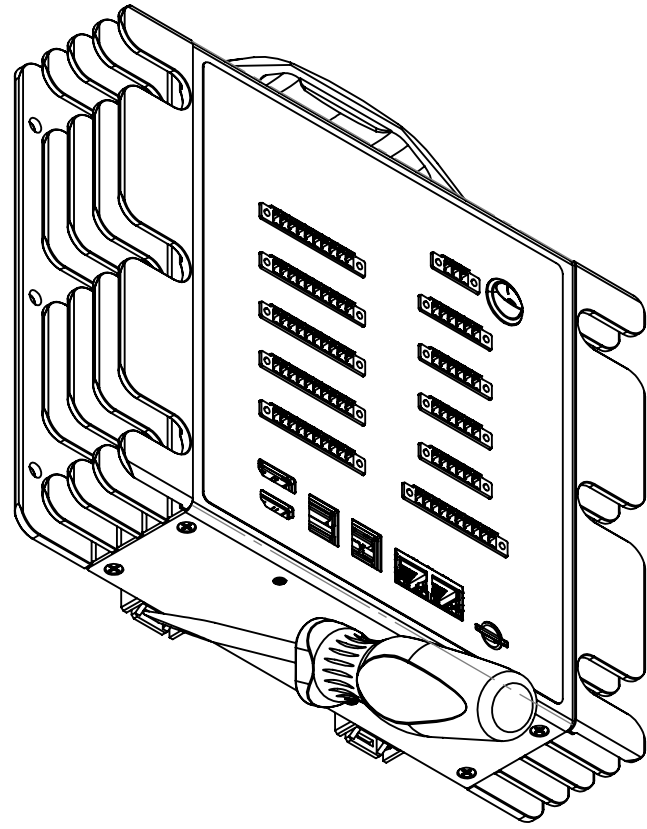
REMOVAL



THIRD ANGLE PROJECTION 		PROJECT CODE : sigPOD 220x REF. MODEL (REF): - MODEL BY: agaikwad, 2024-03-26 DRAWN BY: agaikwad, 2024-07-10 CHECKED BY: stevenw, 2024-07-10 MATERIAL: MISC FINISH: MISC WEIGHT (lbs): -	 Sciometric Instruments ULC TITLE: <h2>DIN MOUNT ASSEMBLY</h2>
DIMENSIONS IN INCHES <small>INTERPRET DRAWING IN ACCORDANCE WITH ASME Y14.5M-1994</small>		DRAWING #: 10500-2200-DINO SCALE: 1:2 SIZE: B SHEET 3 OF 4	
UNSPECIFIED TOLERANCES: <small>FRACTIONS ± 1/32 DECIMALS 0.X ± 0.050 ANGLES ± 1° 0.XX ± 0.010 0.XXX ± 0.005</small>		REV: 1.00	
<small>ITEM# Δ REVISION ○ FLAG NOTE</small>			

Sheet Template: B_size-IN-sciometric-SW DWG Sheet_R6.sldprt

REMOVAL 3D



THIRD ANGLE PROJECTION 		PROJECT CODE : sigPOD 220x REF. MODEL (REF): - MODEL BY: agaikwad, 2024-03-26 DRAWN BY: agaikwad, 2024-07-10 CHECKED BY: stevenw, 2024-07-10 MATERIAL: MISC FINISH: MISC WEIGHT (lbs): -	 Sciometric Instruments ULC TITLE: <h2>DIN MOUNT ASSEMBLY</h2>
DIMENSIONS IN INCHES <small>INTERPRET DRAWING IN ACCORDANCE WITH ASME Y14.5M-1994</small>		DRAWING #: 10500-2200-DINO SCALE: 1:2.5 SIZE: B SHEET 4 OF 4	
UNSPECIFIED TOLERANCES: FRACTIONS ±1/32 DECIMALS 0.X ± 0.050 ANGLES ± 1° 0.XX ± 0.010 0.XXX ± 0.005		REV: 1.00	
<small>○ ITEM# △ REVISION ◻ FLAG NOTE</small>		<small>The information contained in this drawing is the sole property of Sciometric Instruments Inc. It is to be used by others for the sole purpose it has been provided. This drawing may not be copied or reproduced, nor may its contents be disclosed to others, without the express written consent of Sciometric Instruments Inc.</small>	