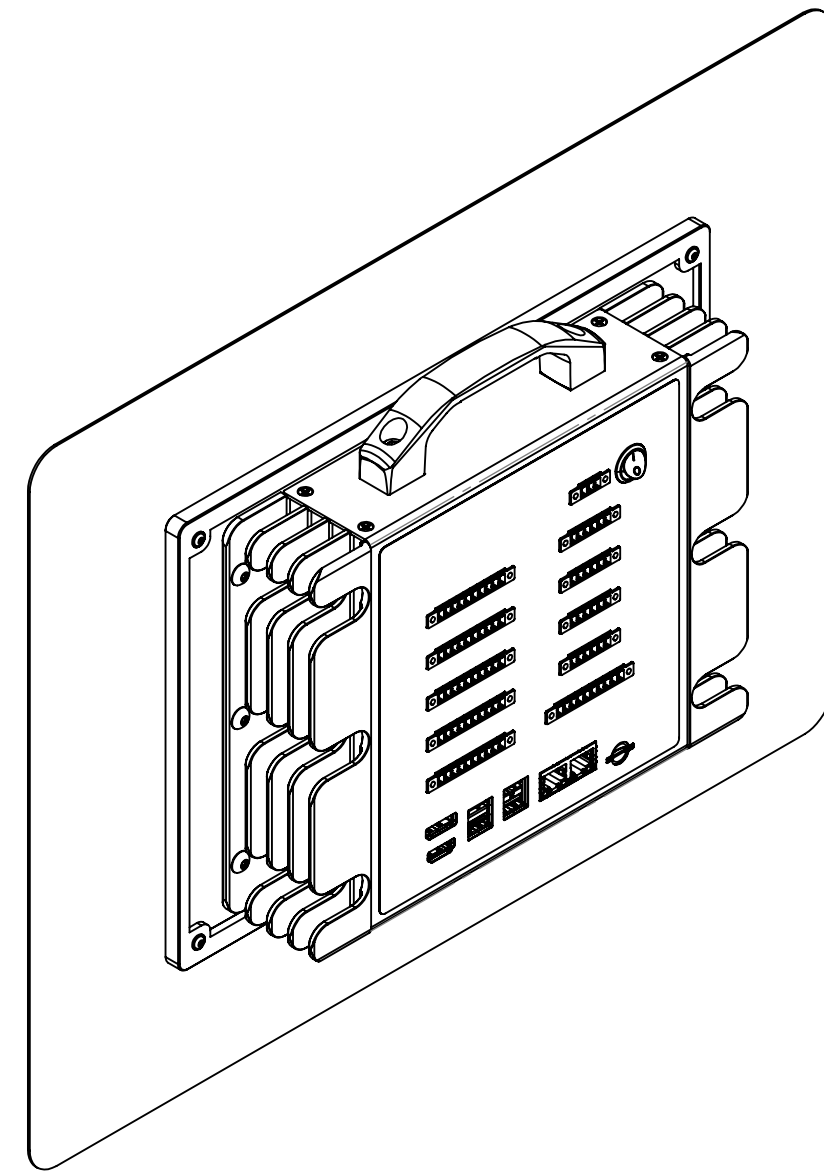
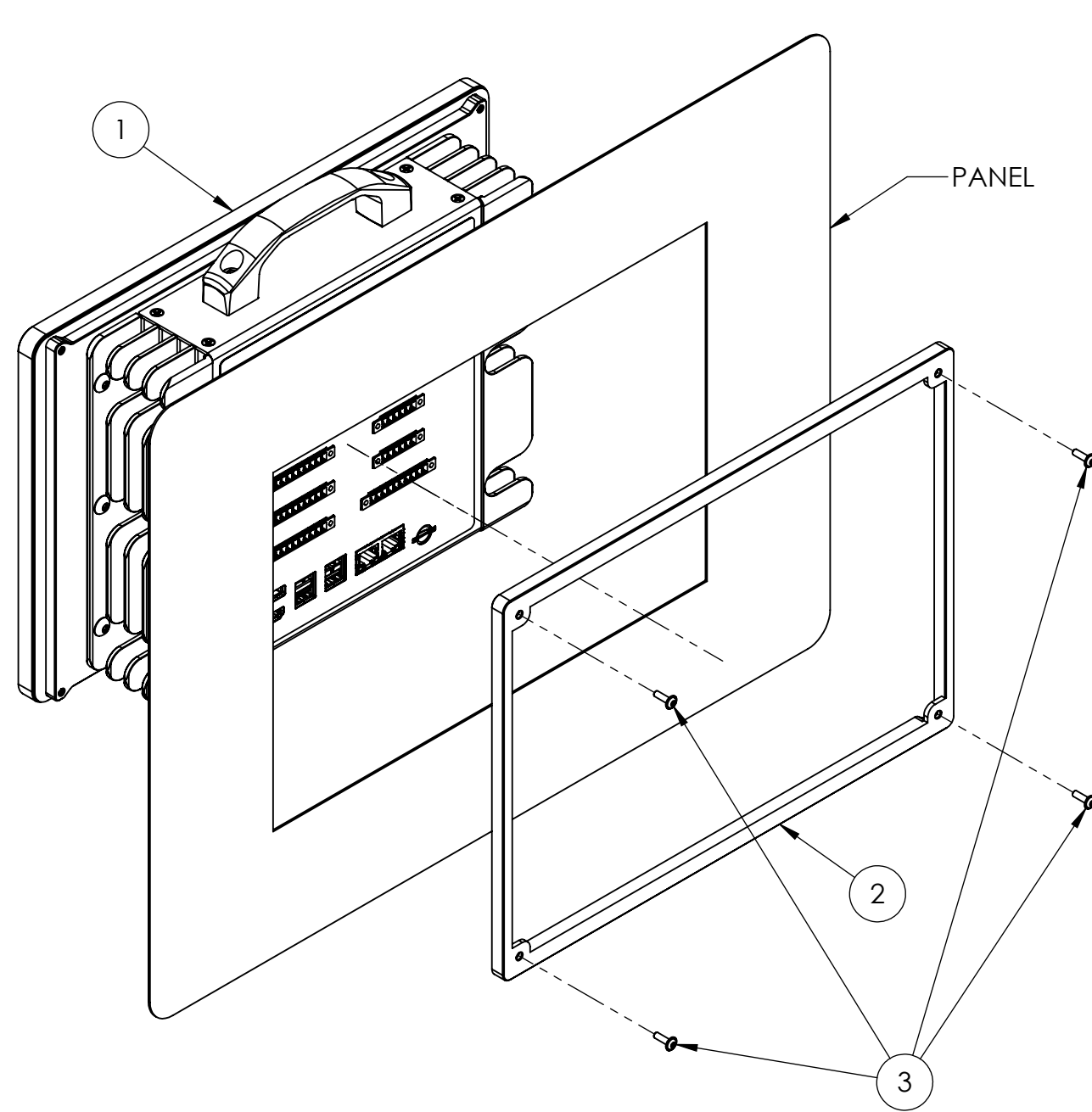
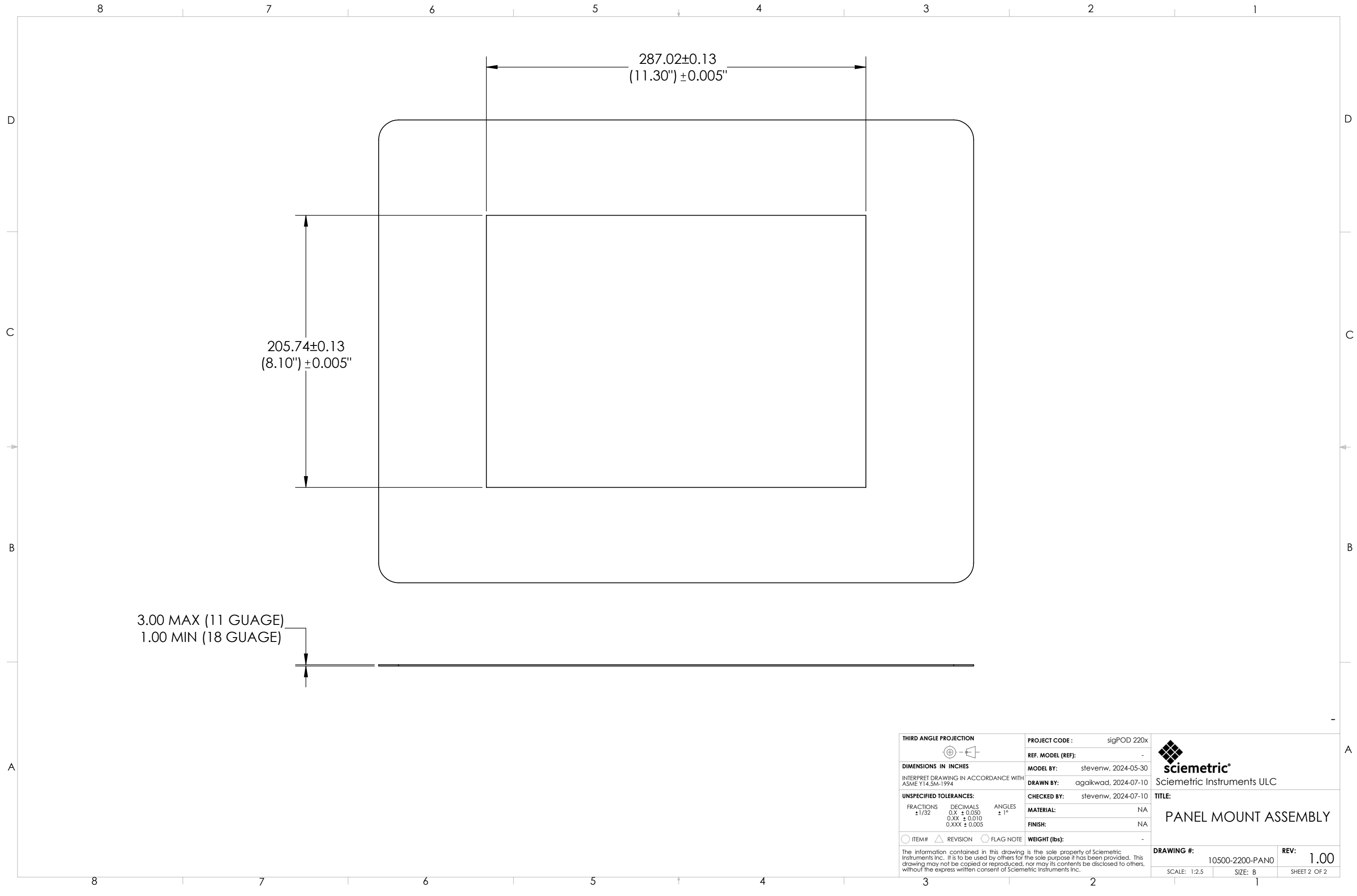


ITEM NO.	PART NUMBER	DESCRIPTION	QTY.
1	10500-220x-TH00	sigPOD 220x with TFT	1
2	850-SP3-0015	PANEL MOUNTING BRACKET	1
3	6100M3FB10	Flanged Button Head Screw - M3x10L	4



THIRD ANGLE PROJECTION 		PROJECT CODE : sigPOD 220x	 Sciometric Instruments ULC
DIMENSIONS IN INCHES		REF. MODEL (REF): -	
INTERPRET DRAWING IN ACCORDANCE WITH ASME Y14.5M-1994		MODEL BY: stevenw, 2024-05-30	TITLE: PANEL MOUNT ASSEMBLY
UNSPECIFIED TOLERANCES:		DRAWN BY: agaikwad, 2024-07-10	
FRACTIONS ±1/32	DECIMALS 0.X ± 0.050 0.XX ± 0.010 0.XXX ± 0.005	CHECKED BY: stevenw, 2024-07-10	MATERIAL: NA FINISH: NA
ANGLES ± 1°		WEIGHT (lbs): -	
ITEM# △ REVISION ○ FLAG NOTE		DRAWING #: 10500-2200-PANO REV: 1.00	
The information contained in this drawing is the sole property of Sciometric Instruments Inc. It is to be used by others for the sole purpose it has been provided. This drawing may not be copied or reproduced, nor may its contents be disclosed to others, without the express written consent of Sciometric Instruments Inc.		SCALE: 1:3	SHEET 1 OF 2

Sheet Template: B_size-IN-sciemetric-SW DWG Sheet_R6.sldprt



287.02±0.13
(11.30")±0.005"

205.74±0.13
(8.10")±0.005"

3.00 MAX (11 GAUGE)
1.00 MIN (18 GAUGE)

THIRD ANGLE PROJECTION 		PROJECT CODE : sigPOD 220x	 Sciometric Instruments ULC
DIMENSIONS IN INCHES INTERPRET DRAWING IN ACCORDANCE WITH ASME Y14.5M-1994		REF. MODEL (REF): -	
UNSPECIFIED TOLERANCES:		MODEL BY: stevenw, 2024-05-30	TITLE: PANEL MOUNT ASSEMBLY
FRACTIONS ±1/32	DECIMALS 0.X ± 0.050 0.XX ± 0.010 0.XXX ± 0.005	DRAWN BY: agaikwad, 2024-07-10	
ANGLES ± 1°		CHECKED BY: stevenw, 2024-07-10	
ITEM# △ REVISION ◻ FLAG NOTE		MATERIAL: NA FINISH: NA WEIGHT (lbs): -	
The information contained in this drawing is the sole property of Sciometric Instruments Inc. It is to be used by others for the sole purpose it has been provided. This drawing may not be copied or reproduced, nor may its contents be disclosed to others, without the express written consent of Sciometric Instruments Inc.			DRAWING #: 10500-2200-PANO SCALE: 1:2.5
			REV: 1.00 SIZE: B SHEET 2 OF 2