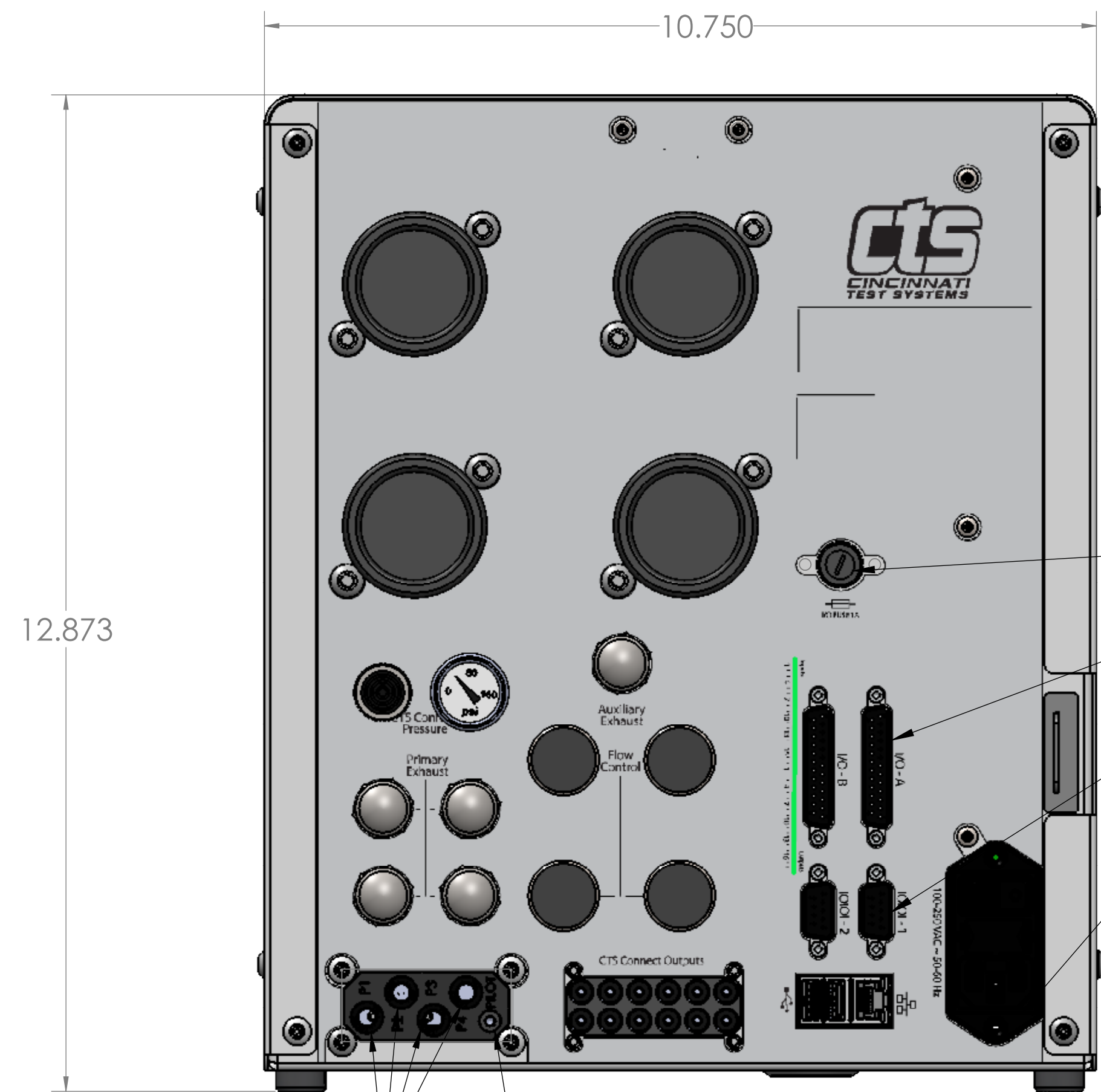
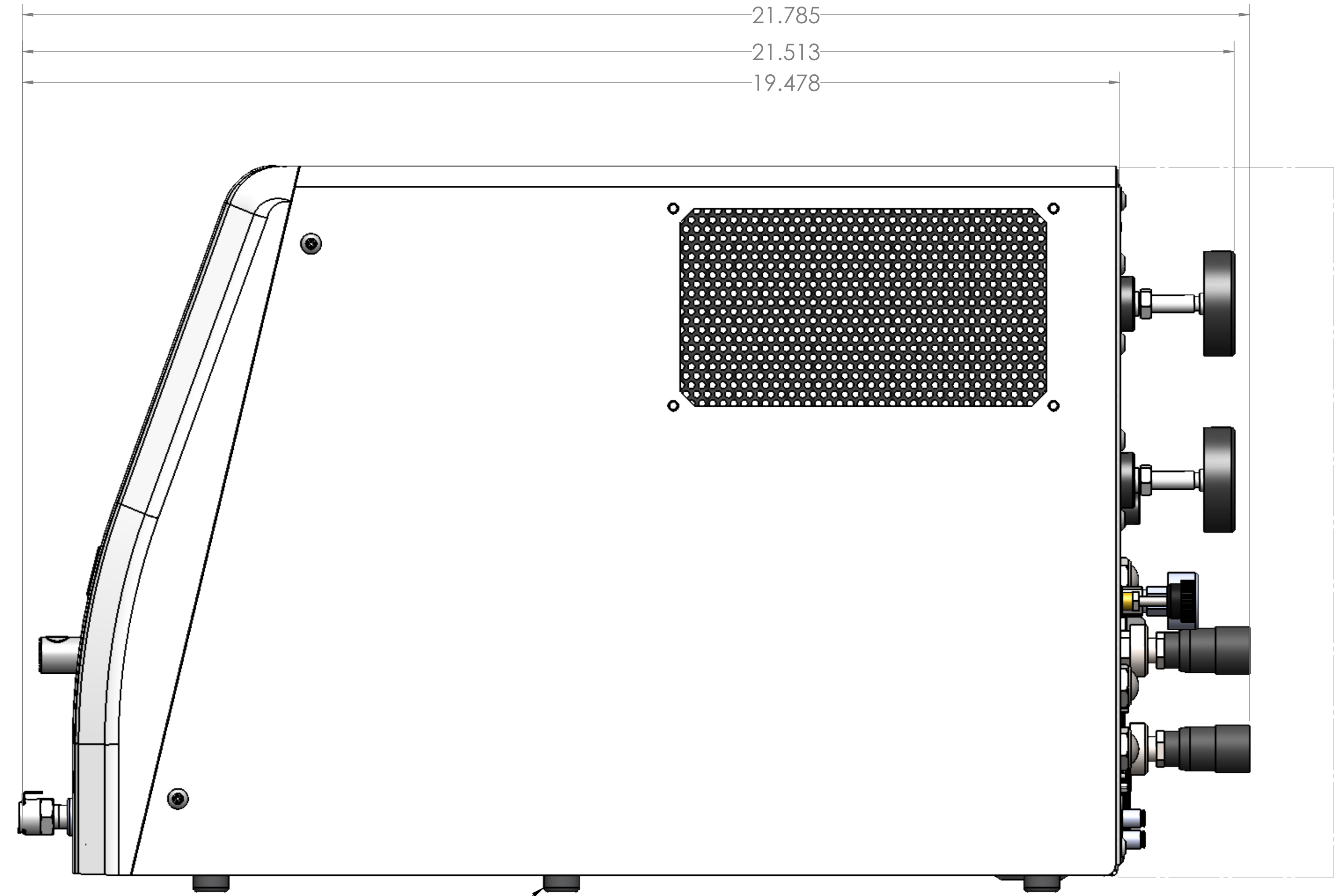


BLACKBELT PRO BENCHTOP INSTALLATION DATA



- I/O Fuse Holder-1A
- I/O Connector
- RS232 Serial Port
- Power Entry 3 Prong
Standard with 120 VAC
3 Conductor Cable For All Others

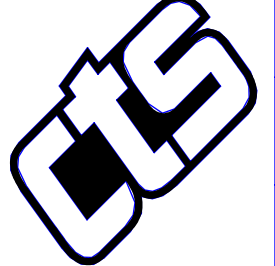

4x 1/4" Push Lock
Part For Supply Air

1/8" Push
Lock For Pilot

SIX (6) RUBBER BUMPER FOR
ELEVATION AND PROTECTION

ALLOW 4" CLEARANCE FOR INSTALLATION
OF TEST LINE AND HAND CLEARANCE

REVISIONS			
REV.	DESCRIPTION	DATE	APPROVED
B	UPDATED PER REV F OF BASE ASSEMBLY	10/3/2017	NLC

MATERIAL:	UNLESS OTHERWISE SPECIFIED BREAK ALL SHARP CORNERS		 5555 DRY FORK RD., CLEVELAND, OH 43002
FINISH:	TOLERANCES: 1 PLACE DECIMAL ± .050" (1.27mm) 2 PLACE DECIMAL ± .010" (0.25mm) 3 PLACE DECIMAL ± .003" (0.08mm) ANGULAR DIMS ± 0° 30'		
QUANTITY:	HEAT TREAT:	SOLIDWORKS ✓ INDICATES 500 MAXIMUM FINISH REQ'D ON SURFACES WITHOUT A SYMBOL 125/	CUSTOMER CTS R&D
MANUFACTURER:	JOB NUMBER:		DRAWN BY MIF
		CHECKED BY TAB	DESCRIPTION INSTALLATION DATA BENCHTOP PRO
		SCALE: 2:3	REV B
			SHEET 1 OF 1