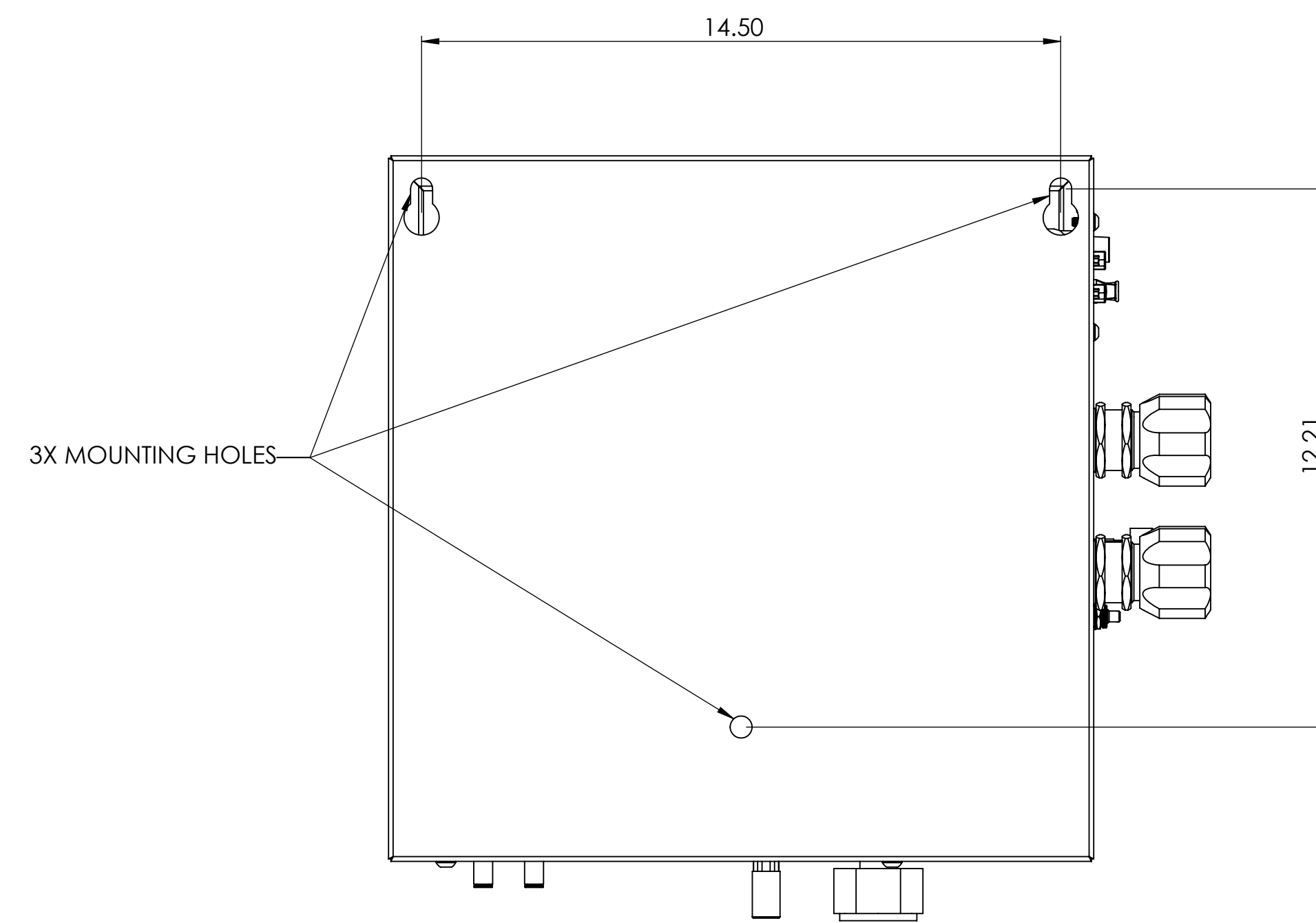
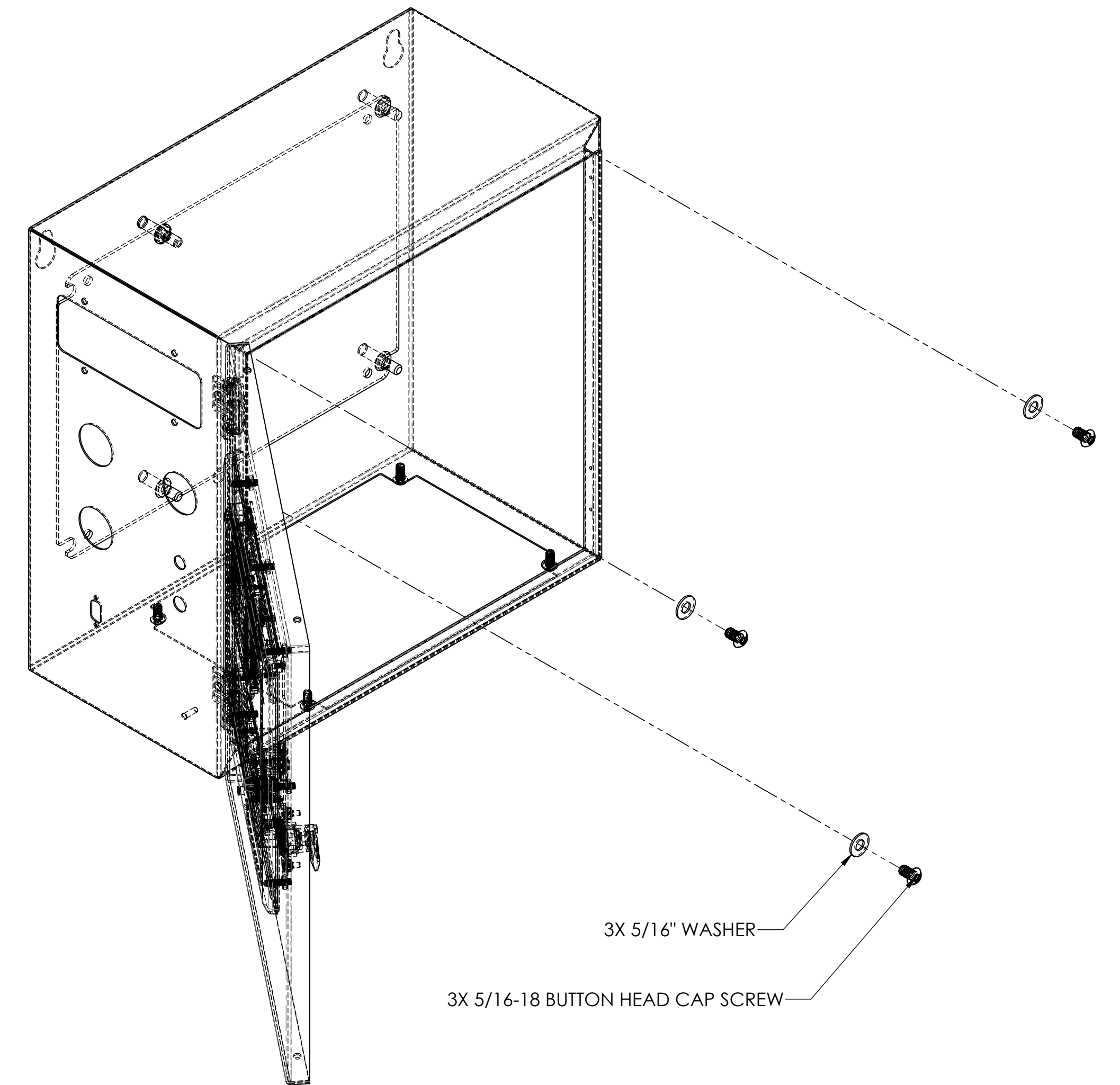


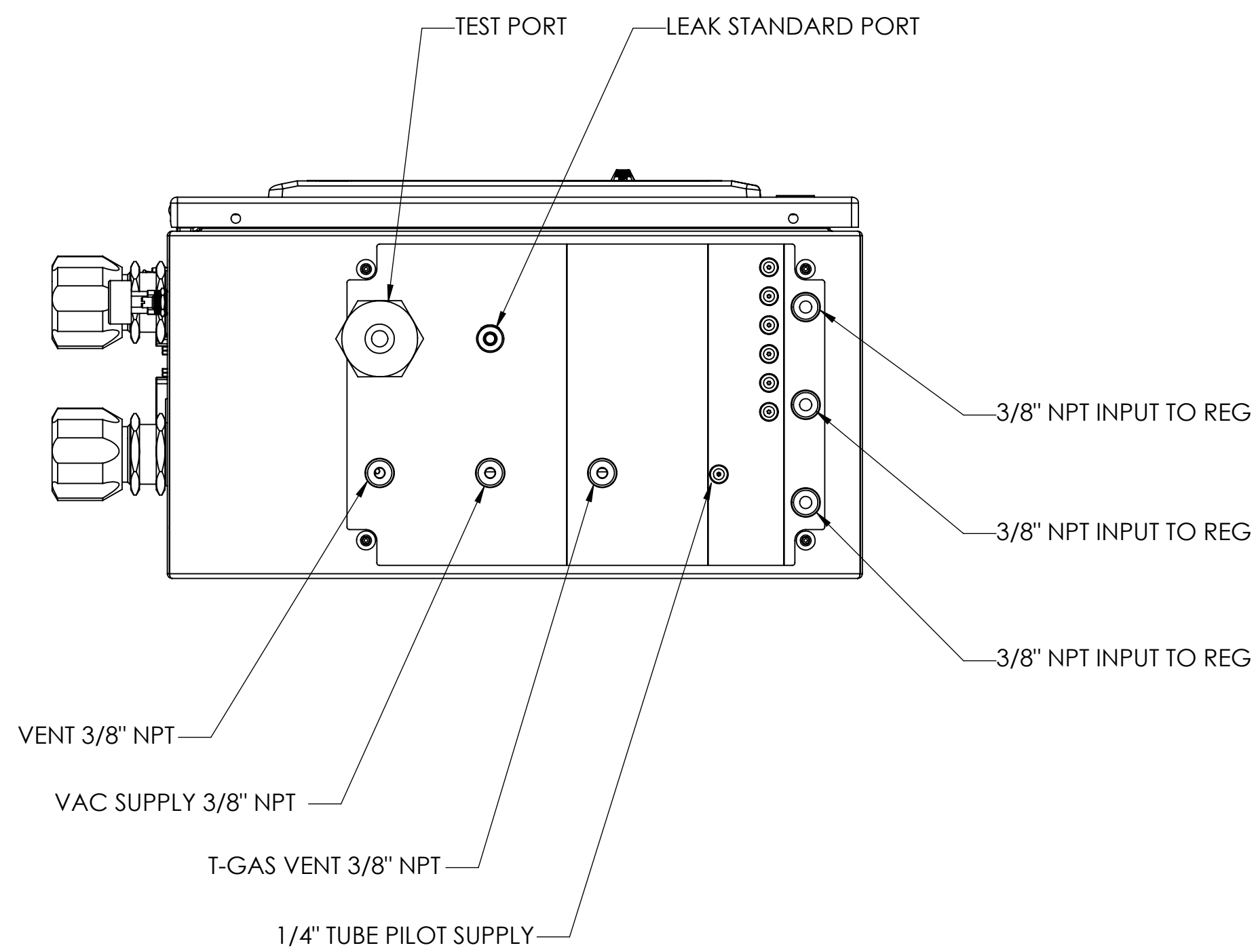
FRONT VIEW



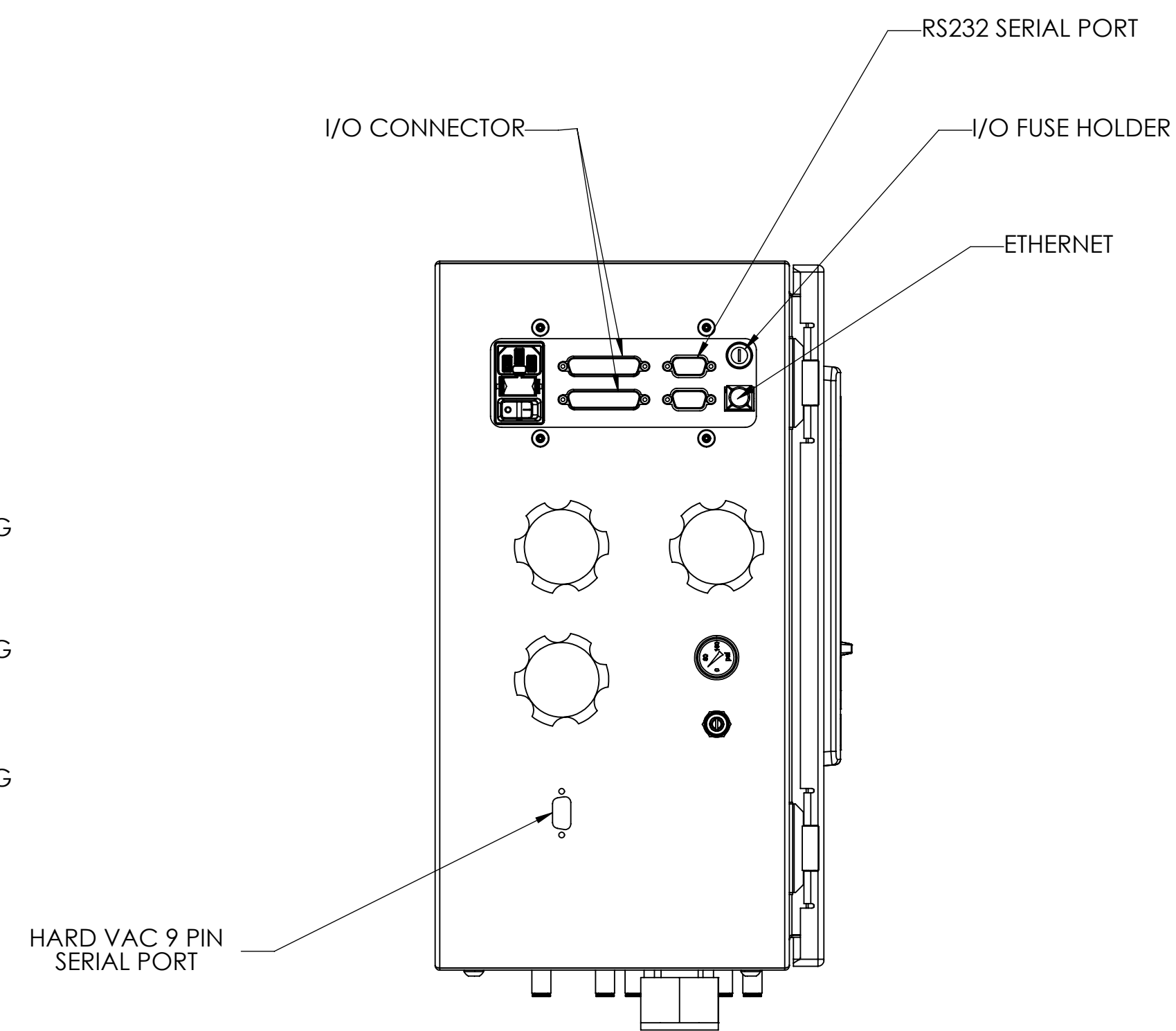
REAR VIEW



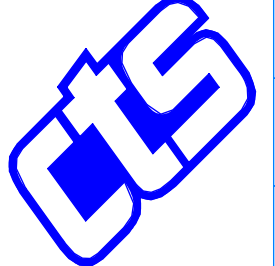

MOUNTING
(INTERNAL DETAILS NOT SHOWN)



BOTTOM VIEW



SIDE VIEW

MATERIAL:		UNLESS OTHERWISE SPECIFIED BREAK ALL SHARP CORNERS					
FINISH:		TOLERANCES: 1 PLACE DECIMAL = .050" [1.27mm] 2 PLACE DECIMAL = .010" [0.25mm] 3 PLACE DECIMAL = .003" [0.08mm] ANGULAR DIMS = 0° 30'				PART NUMBER	
QUANTITY:	HEAT TREAT:	SolidWorks ✓ INDICATES 500 MAXIMUM FINISH REQ'D ON SURFACES WITHOUT A SYMBOL 125/		DRAWN BY		REV	
MANUFACTURER:				GRC		8/13/2019	
JOB NUMBER:		DRILLED AND COUNTERBORED HOLE DIAMETERS: -.005" / +.015" [-0.13mm / +0.4mm]		SCALE		SHEET	
				1:2		1 OF 1	